



Specialist in residential integration  
MORE THAN ENERGY



PRODUCT  
CATALOGUE  
**2022**





PRODUCT  
CATALOGUE  
**2022**



**4** 25th Anniversary  
- 1997 to 2022 -

**8 - 20** MEPV Half-Cut  
Series

**5** EURENER  
European Quality  
Personalized Service  
Certificates  
Warranties  
Logistics  
Bankability

**22 - 32** MEPV Half-Cut Plus  
Series

**34 - 40** MEPV Ultra Premium  
Series

**42 - 48** MEPV Double Glass  
Series

**50 - 54** MEPV Bifacial  
Series

**56 - 68** MEPV & PEPV Classic  
Series





## European Quality

Throughout these 25 years of experience, we have developed a production process and know-how that has resulted in a certified product of high quality and multiple applications.

## Personalized Service

We have a large and experienced commercial department that can assist you in different languages. As a result, we provide a global and completely personalized service in order to provide you with the best possible service and product.

## Certificates

Eurener's photovoltaic modules have passed all of the main tests in terms of durability and performance. Due to this, we have the most prestigious certificates at a worldwide.



## Warranties

Eurener modules, with a useful life of approximately 50 years, are designed to last, thus making a profitable investment and providing energy for decades. That is why we offer warranties above the market average.

## Logistics

Thanks to our warehouses in Spain and Central Europe, and together with our Premium Partners in different countries, Eurener offers a logistics services that take our modules wherever you need them: to the site or to your warehouse.

**20**

YEARS

PRODUCT WARRANTY

**+5 years** for Premium Partners

**30**

YEARS

PRODUCT WARRANTY

Double Glass Series  
Bifacial Series

**25**

YEARS

PERFORMANCE WARRANTY

**30**

YEARS

PERFORMANCE WARRANTY

Half-Cut Icon  
Ultra Premium Series  
Double Glass Series  
Bifacial Series



## Bankability

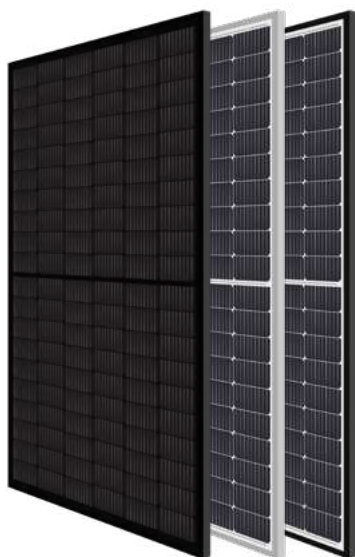
Your operations with Eurener will always be safe. We offer various payment terms for the different needs of each of our clients. We study each case and suggest the optimal form and term of payment.

## Reliability for your projects

Our wide product range, as well as the possibility of manufacturing ad hoc modules, and the know-how acquired over many years of experience, results in a reliable and robust product, with premium finishing and a long-term performance.

### MEPV Half-Cut Series

from 340 to 420Wp



20 YEARS  
PRODUCT WARRANTY  
**+5 years** for Premium Partners

25 YEARS  
PERFORMANCE WARRANTY  
**30 years** for Half-Cut Icon

### MEPV Half-Cut Plus Series

from 450 to 550Wp

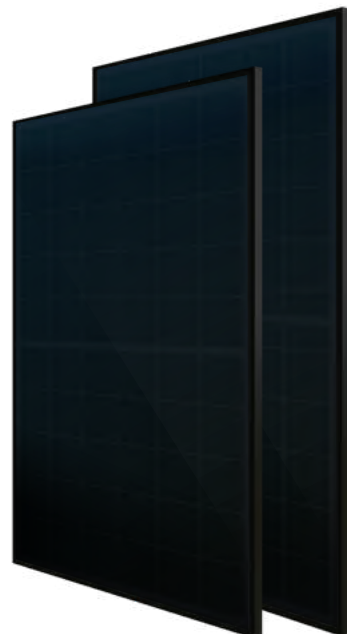


20 YEARS  
PRODUCT WARRANTY  
**+5 years** for Premium Partners

25 YEARS  
PERFORMANCE WARRANTY

### MEPV Ultra Premium Series

from 400 to 440Wp



20 YEARS  
PRODUCT WARRANTY  
**+5 years** for Premium Partners

30 YEARS  
PERFORMANCE WARRANTY

## Decisions that reduce your footprint

Eurener photovoltaic modules have evolved to become one of the most efficient and good eco-friendly options on the market. We work with technologies that fits residential, industrial and utility installations.

### MEPV Double Glass Series

from 375 to 380Wp



30 YEARS  
PRODUCT WARRANTY

30 YEARS  
PERFORMANCE WARRANTY

### MEPV Bifacial Series

550Wp

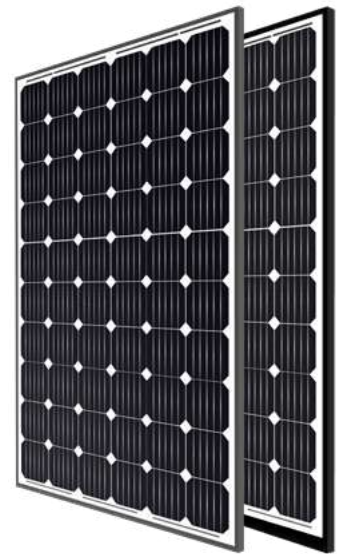


30 YEARS  
PRODUCT WARRANTY

30 YEARS  
PERFORMANCE WARRANTY

### MEPV & PEPV Classic Series

from 280 to 345Wp



20 YEARS  
PRODUCT WARRANTY  
**+5 years** for Premium Partners

25 YEARS  
PERFORMANCE WARRANTY



## **MEPV Half-Cut Series**

↘ *Maximum efficiency and versatility*



## MEPV Half-Cut Series from 340 to 420Wp

Reduces thermal losses by working with lower current values.



### MBB Technology

- The increase in the number of busbars reduces internal resistance losses by reducing the distance between the BB.
- Thinner and rounded busbar to increase the light absorption and thus increase the module's surface area.



### Frame optimization

- We use 30-35 mm frames that make the panel easier to handle.
- By reducing the size of the frame, we optimize transport by being able to add more modules per truck, thus reducing transit and storage costs and the associated CO2 emissions.



### Split junction box

- Keeps the temperature lower than a single junction box.



### Avoids shading losses

- The parallel connection of the half-cell modules maintains production when one of the parts is shaded.
- This increases efficiency and reliability, reduces the occurrence of micro-cracks and diminish cell degradation.



### Versatile and cost-effective module

- More power in less space for fast amortization.
- Reduces the total price of the installation and improves the rate of return on large investments.
- Technology that fits residential, industrial and large installations with customizable aesthetics.





## **MEPV Half-Cut Series**

### **↘ DATA SHEETS**

- | Eurener\_MEPV 80\_HALF-CUT\_410Wp
- | Eurener\_MEPV 80\_HALF-CUT\_400-420Wp
- | Eurener\_MEPV 108\_HALF-CUT ICON\_400-420Wp
- | Eurener\_MEPV 120\_HALF-CUT\_340Wp
- | Eurener\_MEPV 120\_HALF-CUT\_375-380Wp

Monocrystalline Photovoltaic Module »



# MEPV 80 HALF-CUT

## BLACK » 410Wp

### QUALITY »



**80 cells**  
Half-Cut monocrystalline



**MBB technology**  
Better light absorption



**Fire resistance**  
Maximum protection



**+5W**  
Positive power tolerance



**Avoid losses**  
Better shading tolerance



**Efficiency**  
Over 21% efficiency



1997 to 2022  
**25<sup>TH</sup>**  
ANNIVERSARY

\*\*\* EUROPEAN QUALITY \*\*\*

### WARRANTIES »

**20** YEARS PRODUCT WARRANTY

**25** YEARS PERFORMANCE WARRANTY  
Linear Warranty

PRODUCT WARRANTY  
for Premium Partners

**+5**  
YEARS

### CERTIFICATES »



## TECHNICAL FEATURES »

### Eurener\_MEPV 80\_HALF-CUT\_410Wp\_2022EN

#### FRAME

Black anodized aluminium

Robust and resistant to corrosion

#### CONNECTION BOX AND PROTECTIONS

Sealed, robust and wide for heat dissipation

IP67/IP68 according to IEC 60529

Diodes by-pass built-in (3/6)

Connector MC4 compatible

Application Class A. Safety Class II

Cables 1000 mm ( $\pm 20\%$ ) length and 4 mm<sup>2</sup> section

#### FRONTAL

3,2 mm thick tempered glass with high strength and ARC

Textured, extra-clear with low iron content

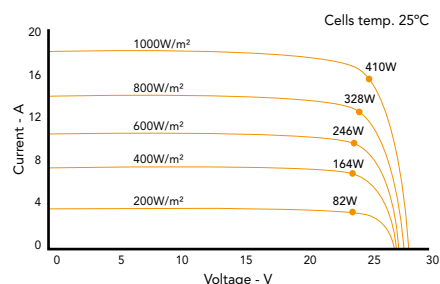
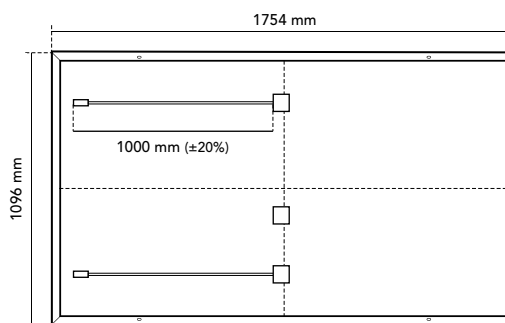
Frontal load (snow) 5400 Pa | Back load (wind) 2400 Pa

#### SOLAR CELLS

80 [2x(8x5)] cells monocrystalline silicon

#### WEIGHT, DIMENSIONS AND PACKAGING

21 Kg | 1754 x 1096 x 30 mm ( $\pm 1\%$ ) | Pack: 936 pcs-truck



## ELECTRIC DATA »

BLACK	MEPV 410
STC: 1000 W/m <sup>2</sup> , module temperature 25°C, AM 1,5	
Nominal power. Pmax	410 Wp
Max. power tolerance. Pmax	0 / +5 W
Area of the module	1,92 m <sup>2</sup>
Module efficiency	21,32 %
Isc	18,53 A
Voc	28,15 V
Imp	17,48 A
Vmp	23,46 V
NOCT: 800 W/m <sup>2</sup> , ambient temperature 20°C, AM 1,5	
Nominal power. Pmax	311,11 W
Isc	15,65 A
Voc	25,86 V
Imp	14,62 A
Vmp	21,28 V
Operating parameters. Temperature coefficients	
Maximum voltage	1500 V
Maximum series fuse rating. Ir	20 A
$\alpha$ Isc	0,04 % / °C
$\beta$ Voc	- 0,25 % / °C
$\gamma$ Pmax	- 0,34 % / °C
Temperature range	- 40 °C ~ + 85 °C
NOCT	43 $\pm$ 2 °C

NOTE: Read the instruction manual of this product and follow the indications STC. Values are valid for: 1000W/m<sup>2</sup>, AM 1,5 and cells temperature of 25°C. Measurement tolerance  $\pm 3\%$  (AAA Solar simulation -IEC 60.904-9-). All the information of this brochure may be amended without notice by Eurener. Eurener\_MEPV 80\_HALF-CUT\_410Wp\_EN\_SEP2022

1997 to 2022  
**25**  
TH  
ANNIVERSARY

[www.eurenergroupp.com](http://www.eurenergroupp.com)  
contact@eurenerworld.com  
+34 960 045 515  
Calle Colón, 1-23  
46004, Valencia, Spain

### 25 years manufacturing a better world

Since 1997 our main purpose has been to supply quality and long-lasting photovoltaic modules that allow us and future generations, to continue generating clean energy to take care of our planet.

Monocrystalline Photovoltaic Module »



# MEPV 80 HALF-CUT

STANDARD »  
400 / 410 / **420 Wp**

## QUALITY »



**80 cells**  
Half-Cut monocrystalline



**MBB technology**  
Better light absorption



**Fire resistance**  
Maximum protection



**+5W**  
Positive power tolerance



**Avoid losses**  
Better shading tolerance



**Efficiency**  
410Wp - 420Wp



1997 to 2022  
**25<sup>TH</sup>**  
ANNIVERSARY

\*\*\*\*\* EUROPEAN QUALITY

## WARRANTIES »

**20** YEARS PRODUCT WARRANTY

**25** YEARS PERFORMANCE WARRANTY  
Linear Warranty

PRODUCT WARRANTY  
for Premium Partners

**+5**  
YEARS

## CERTIFICATES »



## TECHNICAL FEATURES »

### Eurener\_MEPV 80\_HALF-CUT\_400-420Wp\_2022EN

#### FRAME

Silver anodized aluminium

Robust and resistant to corrosion

#### CONNECTION BOX AND PROTECTIONS

Sealed, robust and wide for heat dissipation

IP67/IP68 according to IEC 60529

Diodes by-pass built-in (3/6)

Connector MC4 compatible

Application Class A. Safety Class II

Cables 1000 mm ( $\pm 20\%$ ) length and 4 mm<sup>2</sup> section

#### FRONTAL

3,2 mm thick tempered glass with high strength and ARC

Textured, extra-clear with low iron content

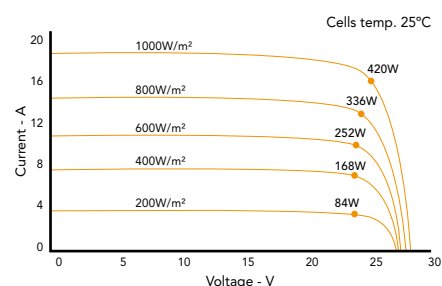
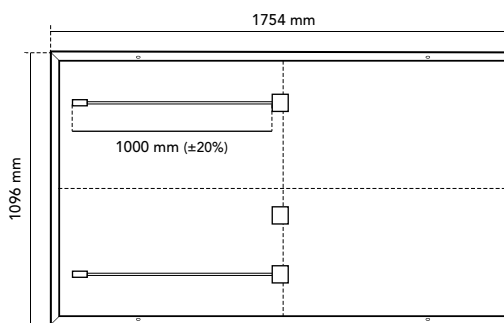
Frontal load (snow) 5400 Pa | Back load (wind) 2400 Pa

#### SOLAR CELLS

80 [2x(8x5)] cells monocrystalline silicon

#### WEIGHT, DIMENSIONS AND PACKAGING

21 Kg | 1754 x 1096 x 30 mm ( $\pm 1\%$ ) | Pack: 936 pcs-truck



## ELECTRIC DATA »

STANDARD	MEPV 400	MEPV 410	MEPV 420
STC: 1000 W/m <sup>2</sup> , module temperature 25°C, AM 1,5			
Nominal power. Pmax	400 Wp	410 Wp	420 Wp
Max. power tolerance. Pmax	0 / +5 W	0 / +5 W	0 / +5 W
Area of the module	1,92 m <sup>2</sup>		
Module efficiency	20,81 %	21,33 %	21,85 %
Isc	18,36 A	18,53 A	18,72 A
Voc	27,77 V	28,15 V	28,55 V
Imp	17,30 A	17,48 A	17,60 A
Vmp	23,13 V	23,46 V	23,87 V
NOCT: 800 W/m <sup>2</sup> , ambient temperature 20°C, AM 1,5			
Nominal power. Pmax	307,28 W	311,11 W	315,11 W
Isc	15,61 A	15,65 A	15,71 A
Voc	25,64 V	25,86 V	26,11 V
Imp	14,57 A	14,62 A	14,67 A
Vmp	21,09 V	21,28 V	21,48 V
Operating parameters. Temperature coefficients			
Maximum voltage	1500 V		
Maximum series fuse rating. Ir	20 A		
$\alpha$ Isc	0,04 % / °C		
$\beta$ Voc	- 0,25 % / °C		
$\gamma$ Pmax	- 0,34 % / °C		
Temperature range	- 40 °C ~ + 85 °C		
NOCT	43 $\pm$ 2 °C		

NOTE: Read the instruction manual of this product and follow the indications STC. Values are valid for: 1000W/m<sup>2</sup>, AM 1,5 and cells temperature of 25°C. Measurement tolerance +/-3% (AAA Solar simulation -IEC 60.904-9-). All the information of this brochure may be amended without notice by Eurener. Eurener\_MEPV 80\_HALF-CUT\_400-420Wp\_EN\_SEP2022

1997 to 2022  
**25**  
TH  
ANNIVERSARY

[www.eurenergroupp.com](http://www.eurenergroupp.com)  
contact@eurenerworld.com  
+34 960 045 515  
Calle Colón, 1-23  
46004, Valencia, Spain

### 25 years manufacturing a better world

Since 1997 our main purpose has been to supply quality and long-lasting photovoltaic modules that allow us and future generations, to continue generating clean energy to take care of our planet.

# MEPV 108 HALF-CUT ICON

BLACK - STANDARD - BICOLOUR »  
400/410/415/420 Wp

## QUALITY »



**MBB technology**  
Better light absorption



**M10 Wafer**  
Ultra-high power



**Long durability**  
80% at the 30th year



**Fire resistance**  
Maximum protection



**Avoid losses**  
Better shading tolerance



**Efficiency**  
415Wp - 420Wp



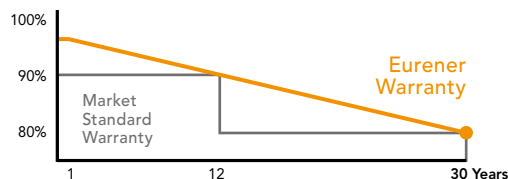
1997 to 2022  
**25<sup>TH</sup>**  
ANNIVERSARY

EUROPEAN QUALITY

## WARRANTIES »

**20 YEARS PRODUCT WARRANTY**  
+5 years for Premium Partners

**30 YEARS PERFORMANCE WARRANTY**  
Linear Warranty



## CERTIFICATES »



## TECHNICAL FEATURES »

### Eurener\_MEPV 108\_HALF-CUT ICON\_400-420Wp\_2022EN

#### FRAME

Black / Silver anodized aluminium

Robust and resistant to corrosion

#### CONNECTION BOX AND PROTECTIONS

Sealed, robust and wide for heat dissipation

IP67/IP68 according to IEC 60529

Diodes by-pass built-in (3/6)

Connector MC4 compatible

Application Class A. Safety Class II

Cables 1000 mm ( $\pm 20\%$ ) length and 4 mm<sup>2</sup> section

#### FRONTAL

3,2 mm thick tempered glass with high strength and ARC

Textured, extra-clear with low iron content

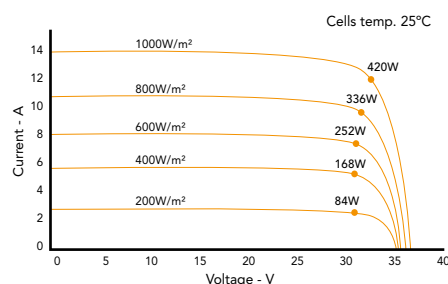
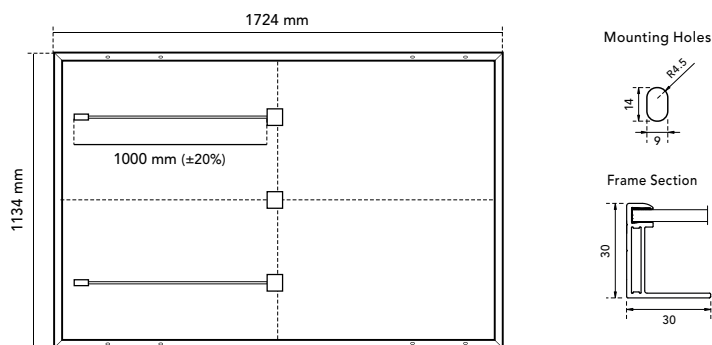
Frontal load (snow) 5400 Pa | Back load (wind) 2400 Pa

#### SOLAR CELLS

108 [2x (9x6)] cells monocrystalline silicon

#### WEIGHT AND DIMENSIONS

21,5 Kg | 1724 x 1134 x 30 mm ( $\pm 1\%$ ) | Pack: 962/936 pcs-truck



## ELECTRIC DATA »

BLACK - STANDARD - BICOLOUR	MEPV 400	MEPV 410	MEPV 415	MEPV 420
STC: 1000 W/m <sup>2</sup> , module temperature 25°C, AM 1,5				
Nominal power. P <sub>max</sub>	400 Wp	410 Wp	415 Wp	420 Wp
Max. power tolerance. P <sub>max</sub>	0 / +5 W	0 / +5 W	0 / +5 W	0 / +5 W
Area of the module	1,96 m <sup>2</sup>			
Module efficiency	20,46 %	20,97 %	21,23 %	21,48 %
I <sub>sc</sub>	13,79 A	13,95 A	14,02 A	14,10 A
V <sub>oc</sub>	37,07 V	37,32 V	37,45 V	37,57 V
I <sub>mp</sub>	12,90 A	13,04 A	13,13 A	13,21 A
V <sub>mp</sub>	31,01 V	31,45 V	31,61 V	31,81 V
NOCT: 800 W/m <sup>2</sup> , ambient temperature 20°C, AM 1,5				
Nominal power. P <sub>max</sub>	301,96 W	309,98 W	313,85 W	318,35 W
I <sub>sc</sub>	11,03 A	11,16 A	11,22 A	11,30 A
V <sub>oc</sub>	34,88 V	35,23 V	35,37 V	35,54 V
I <sub>mp</sub>	10,32 A	10,43 A	10,50 A	10,56 A
V <sub>mp</sub>	29,26 V	29,72 V	29,89 V	30,15 V
Operating parameters. Temperature coefficients				
Maximum voltage	1000 - 1500 V			
Maximum series fuse rating. I <sub>r</sub>	25 A			
α I <sub>sc</sub>	0,045 % / °C			
β V <sub>oc</sub>	- 0,275 % / °C			
γ P <sub>max</sub>	- 0,35 % / °C			
Temperature range	- 40°C ~ + 85 °C			
NOCT	45 ± 2 °C			

NOTE: Read the instruction manual of this product and follow the indications STC. Values are valid for: 1000W/m<sup>2</sup>, AM 1,5 and cells temperature of 25°C. Measurement tolerance +/-3% (AAA Solar simulation -IEC 60.904-9-). All the information of this brochure may be amended without notice by Eurener. Eurener\_MEPV 108\_HALF-CUT ICON\_400-420Wp\_EN\_SEP2022

1997 to 2022  
**25**  
TH  
ANNIVERSARY

[www.eurenergroupp.com](http://www.eurenergroupp.com)  
contact@eurenerworld.com  
+34 960 045 515  
Calle Colón, 1-23  
46004, Valencia, Spain

#### 25 years manufacturing a better world

Since 1997 our main purpose has been to supply quality and long-lasting photovoltaic modules that allow us and future generations, to continue generating clean energy to take care of our planet.



Monocrystalline Photovoltaic Module »



# MEPV 120 HALF-CUT

BLACK - STANDARD - BICOLOUR »  
**340 Wp**

## QUALITY »



**120 cells**  
Half-Cut monocrystalline



**MBB technology**  
Better light absorption



**Fire resistance**  
Maximum protection



**+5W**  
Positive power tolerance



**Avoid losses**  
Better shading tolerance



**Optimal performance**  
Power and efficiency



1997 To 2022  
**25<sup>TH</sup>**  
ANNIVERSARY

\*\*\* EUROPEAN QUALITY \*\*\*

## WARRANTIES »

**20** YEARS PRODUCT WARRANTY

**25** YEARS PERFORMANCE WARRANTY  
Linear Warranty

PRODUCT WARRANTY  
for Premium Partners

**+5**  
YEARS

## CERTIFICATES »



## TECHNICAL FEATURES »

### Eurener\_MEPV 120\_HALF-CUT\_340Wp\_2022EN

#### FRAME

Black / Silver anodized aluminium

Robust and resistant to corrosion

#### CONNECTION BOX AND PROTECTIONS

Sealed, robust and wide for heat dissipation

IP67/IP68 according to IEC 60529

Diodes by-pass built-in (3/6)

Connector MC4 compatible

Application Class A. Safety Class II

Cables 1000 mm ( $\pm 20\%$ ) length and 4 mm<sup>2</sup> section

#### FRONTAL

3,2 mm thick tempered glass with high strength and ARC

Textured, extra-clear with low iron content

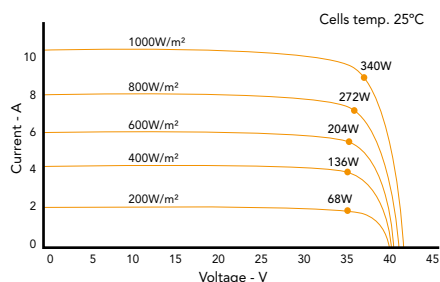
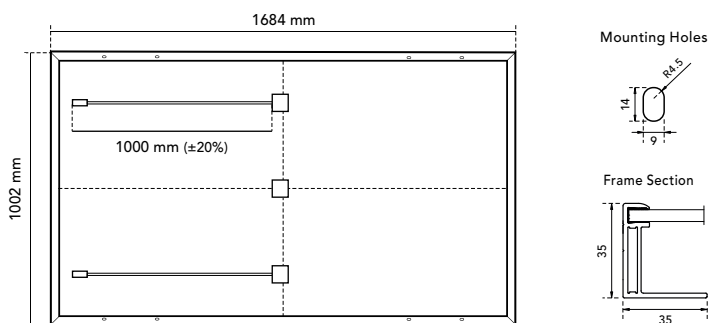
Frontal load (snow) 5400 Pa | Back load (wind) 2400 Pa

#### SOLAR CELLS

120 [2x(10x6)] cells monocrystalline silicon

#### WEIGHT, DIMENSIONS AND PACKAGING

18 Kg | 1684 x 1002 x 35 mm ( $\pm 1\%$ ) | Pack: 858 pcs-truck



## ELECTRIC DATA »

BLACK - STANDARD - BICOLOUR	MEPV 340
STC: 1000 W/m <sup>2</sup> , module temperature 25°C, AM 1,5	
Nominal power. Pmax	340 Wp
Max. power tolerance. Pmax	0 / +5 W
Area of the module	1,68 m <sup>2</sup>
Module efficiency	20,15 %
Isc	10,26 A
Voc	43,00 V
Imp	9,75 A
Vmp	34,90 V
NOCT: 800 W/m <sup>2</sup> , ambient temperature 20°C, AM 1,5	
Nominal power. Pmax	257,52 W
Isc	7,68 A
Voc	40,60 V
Imp	7,78 A
Vmp	33,10 V
Operating parameters. Temperature coefficients	
Maximum voltage	1000 - 1500 V
Maximum series fuse rating. Ir	20 A
$\alpha$ Isc	0,04 % / °C
$\beta$ Voc	- 0,26 % / °C
$\gamma$ Pmax	- 0,36 % / °C
Temperature range	- 40°C ~ + 85°C
NOCT	41 $\pm$ 3 °C

NOTE: Read the instruction manual of this product and follow the indications STC. Values are valid for: 1000W/m<sup>2</sup>, AM 1,5 and cells temperature of 25°C. Measurement tolerance  $\pm 3\%$  (AAA Solar simulation -IEC 60.904-9-). All the information of this brochure may be amended without notice by Eurener. Eurener\_MEPV 120\_HALF-CUT\_340Wp\_EN\_SEP2022

1997 to 2022  
**25**  
TH  
ANNIVERSARY

[www.eurenergroupp.com](http://www.eurenergroupp.com)  
contact@eurenerworld.com  
+34 960 045 515  
Calle Colón, 1-23  
46004, Valencia, Spain

### 25 years manufacturing a better world

Since 1997 our main purpose has been to supply quality and long-lasting photovoltaic modules that allow us and future generations, to continue generating clean energy to take care of our planet.

Monocrystalline Photovoltaic Module »



# MEPV 120 HALF-CUT

BLACK - STANDARD - BICOLOUR »  
375 / 380 Wp

## QUALITY »



**120 cells**  
Half-Cut monocrystalline



**MBB technology**  
Better light absorption



**Fire resistance**  
Maximum protection



**Long durability**  
Continuous performance



**Avoid losses**  
Better shading tolerance



**+20%**  
Efficiency  
Over 20% efficiency



1997 to 2022  
**25<sup>TH</sup>**  
ANNIVERSARY



## WARRANTIES »

**20** YEARS PRODUCT WARRANTY

**25** YEARS PERFORMANCE WARRANTY  
Linear Warranty

PRODUCT WARRANTY  
for Premium Partners

**+5**  
YEARS

## CERTIFICATES »



## TECHNICAL FEATURES »

### Eurener\_MEPV 120\_HALF-CUT\_375-380Wp\_2022EN

#### FRAME

Black / Silver anodized aluminium

Robust and resistant to corrosion

#### CONNECTION BOX AND PROTECTIONS

Sealed, robust and wide for heat dissipation

IP67/IP68 according to IEC 60529

Diodes by-pass built-in (3/6)

Connector MC4 compatible

Application Class A. Safety Class II

Cables 1000 mm ( $\pm 20\%$ ) length and 4 mm<sup>2</sup> section

#### FRONTAL

3,2 mm thick tempered glass with high strength and ARC

Textured, extra-clear with low iron content

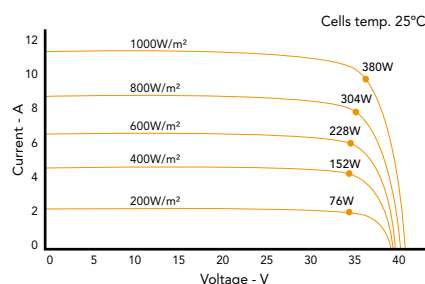
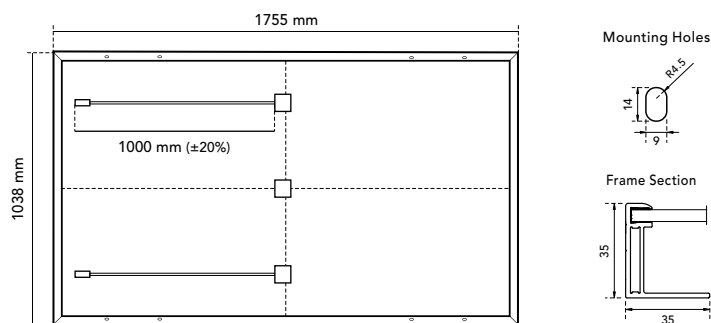
Frontal load (snow) 5400 Pa | Back load (wind) 2400 Pa

#### SOLAR CELLS

120 [2x(10x6)] cells monocrystalline silicon

#### WEIGHT, DIMENSIONS AND PACKAGING

19,2 Kg | 1755 x 1038 x 30/35 mm ( $\pm 1\%$ ) | Pack: 1014/858 pcs-truck



## ELECTRIC DATA »

BLACK - STANDARD - BICOLOUR	MEPV 375	MEPV 380
STC: 1000 W/m <sup>2</sup> , module temperature 25°C, AM 1,5		
Nominal power. P <sub>max</sub>	375 Wp	380 Wp
Max. power tolerance. P <sub>max</sub>	0 / +5 W	0 / +5 W
Area of the module	1,82 m <sup>2</sup>	
Module efficiency	20,59 %	20,86 %
I <sub>sc</sub>	11,46 A	11,55 A
V <sub>oc</sub>	41,50 V	41,70 V
I <sub>mp</sub>	10,95 A	11,03 A
V <sub>mp</sub>	34,28 V	34,47 V
NOCT: 800 W/m <sup>2</sup> , ambient temperature 20°C, AM 1,5		
Nominal power. P <sub>max</sub>	282,25 W	291,97 W
I <sub>sc</sub>	9,23 A	9,30 A
V <sub>oc</sub>	39,18 V	39,57 V
I <sub>mp</sub>	8,76 A	8,88 A
V <sub>mp</sub>	32,22 V	32,88 V
Operating parameters. Temperature coefficients		
Maximum voltage	1000 - 1500 V	
Maximum series fuse rating. I <sub>r</sub>	20 A	
$\alpha$ I <sub>sc</sub>	0,04 % / °C	
$\beta$ V <sub>oc</sub>	- 0,29 % / °C	
$\gamma$ P <sub>max</sub>	- 0,37 % / °C	
Temperature range	- 40 °C ~ + 85 °C	
NOCT	42 $\pm$ 2 °C	

NOTE: Read the instruction manual of this product and follow the indications STC. Values are valid for: 1000W/m<sup>2</sup>, AM 1,5 and cells temperature of 25°C. Measurement tolerance +/-3% (AAA Solar simulation -IEC 60.904-9-). All the information of this brochure may be amended without notice by Eurener. Eurener\_MEPV 120\_HALF-CUT\_375-380Wp\_EN\_SEP2022

1997 to 2022  
**25**  
TH  
ANNIVERSARY

[www.eurenergroupp.com](http://www.eurenergroupp.com)  
contact@eurenerworld.com  
+34 960 045 515  
Calle Colón, 1-23  
46004, Valencia, Spain

#### 25 years manufacturing a better world

Since 1997 our main purpose has been to supply quality and long-lasting photovoltaic modules that allow us and future generations, to continue generating clean energy to take care of our planet.



PRODUCT  
CATALOGUE  
**2022**



## **MEPV Half-Cut Plus Series**

↘ *For the most demanding professionals*

## MEPV Half-Cut Plus Series from 450 to 550Wp

For increased power and reduced shading loss.



### MBB Technology

- The increase in the number of busbars reduces internal resistance losses by reducing the distance between the BB.
- Thinner and rounded busbar to increase the light absorption and thus increase the module's surface area.



### Frame optimization

- We use 35 mm frames that make the panel easier to handle.
- By reducing the size of the frame, we optimize transport by being able to add more modules per truck, thus reducing transit and storage costs and the associated CO2 emissions.



### 1500V

- Maximum power per module to reduce LCOE.



### Avoids shading losses

- The parallel connection of the half-cell modules maintains production when one of the parts is shaded.
- This increases efficiency and reliability, reduces the occurrence of micro-cracks and reduces cell degradation.



### Higher Efficiency

- Efficiency up to 21,28 % in our 550Wp panel.



### Versatile and cost-effective module

- Technology that fits residential, industrial and large installations.





## **MEPV Plus Series**

### **↘ DATA SHEETS**

- | Eurener\_MEPV 132\_HALF-CUT PLUS\_500Wp
- | Eurener\_MEPV 144\_HALF-CUT PLUS\_450-460Wp
- | Eurener\_MEPV 144\_HALF-CUT PLUS\_540Wp
- | Eurener\_MEPV 144\_HALF-CUT PLUS\_550Wp



# MEPV 132 HALF-CUT PLUS

BLACK - STANDARD »  
**500 Wp**

## QUALITY »



**MBB technology**  
Better light absorption



**Reduced BOS**  
Cost effective product



**Long durability**  
Continuous performance



**FIRE CLASS I**  
UNI 9177  
**Fire resistance**  
Maximum protection



**Avoid losses**  
Better shading tolerance



**+21%**  
**Efficiency**  
Over 21% efficiency



## WARRANTIES »

**20** YEARS PRODUCT WARRANTY

**25** YEARS PERFORMANCE WARRANTY  
Linear Warranty

**PRODUCT WARRANTY**  
for Premium Partners

**+5**  
YEARS

## CERTIFICATES »



## TECHNICAL FEATURES »

### Eurener\_MEPV 132\_HALF-CUT PLUS\_500Wp\_2022EN

#### FRAME

Black / Silver anodized aluminium

Robust and resistant to corrosion

#### CONNECTION BOX AND PROTECTIONS

Sealed, robust and wide for heat dissipation

IP67/IP68 according to IEC 60529

Diodes by-pass built-in (3/6)

Connector MC4 compatible

Application Class A. Safety Class II

Cables 1000 mm ( $\pm 20\%$ ) length and 4 mm<sup>2</sup> section

#### FRONTAL

3,2 mm thick tempered glass with high strength and ARC

Textured, extra-clear with low iron content

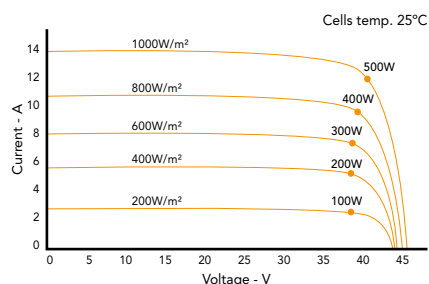
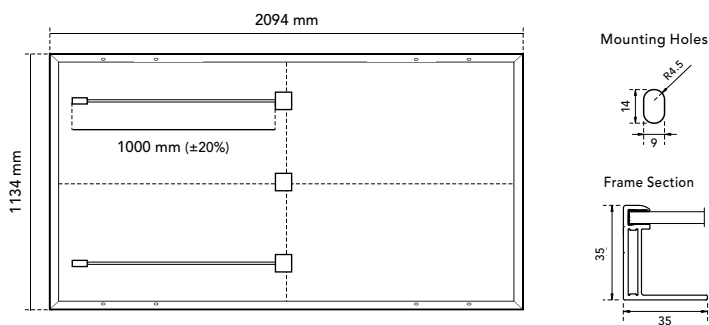
Frontal load (snow) 5400 Pa | Back load (wind) 2400 Pa

#### SOLAR CELLS

132 [2x(11x6)] cells monocrystalline silicon

#### WEIGHT, DIMENSIONS AND PACKAGING

26,3 Kg | 2094 x 1134 x 35 mm ( $\pm 1\%$ ) | Pack: 682 pcs-truck



## ELECTRIC DATA »

BLACK - STANDARD	MEPV 500
STC: 1000 W/m <sup>2</sup> , module temperature 25°C, AM 1,5	
Nominal power. Pmax	500 Wp
Max. power tolerance. Pmax	0 / +5 W
Area of the module	2,37 m <sup>2</sup>
Module efficiency	21,06 %
Isc	13,93 A
Voc	45,59 V
Imp	13,04 A
Vmp	38,35 V
NOCT: 800 W/m <sup>2</sup> , ambient temperature 20°C, AM 1,5	
Nominal power. Pmax	377,98 W
Isc	11,27 A
Voc	42,72 V
Imp	10,52 A
Vmp	35,93 V
Operating parameters. Temperature coefficients	
Maximum voltage	1000 - 1500 V
Maximum series fuse rating. Ir	25 A
$\alpha$ Isc	0,0445 % / °C
$\beta$ Voc	- 0,275 % / °C
$\gamma$ Pmax	- 0,350 % / °C
Temperature range	- 40°C ~ + 85 °C
NOCT	45 $\pm$ 2 °C

NOTE: Read the instruction manual of this product and follow the indications STC. Values are valid for: 1000W/m<sup>2</sup>, AM 1,5 and cells temperature of 25°C. Measurement tolerance +/-3% (AAA Solar simulation -IEC 60.904-9-). All the information of this brochure may be amended without notice by Eurener. Eurener\_MEPV 132\_HALF-CUT PLUS\_500Wp\_EN\_SEP2022

1997 to 2022  
**25**  
TH  
ANNIVERSARY

[www.eurenergroupp.com](http://www.eurenergroupp.com)  
contact@eurenerworld.com  
+34 960 045 515  
Calle Colón, 1-23  
46004, Valencia, Spain

### 25 years manufacturing a better world

Since 1997 our main purpose has been to supply quality and long-lasting photovoltaic modules that allow us and future generations, to continue generating clean energy to take care of our planet.

Monocrystalline Photovoltaic Module »



# MEPV 144 HALF-CUT PLUS

BLACK - STANDARD - BICOLOUR »  
450 / 460 Wp

## QUALITY »



**MBB technology**  
Better light absorption



**Reduced BOS**  
Cost effective product



**+5W**  
Positive power tolerance



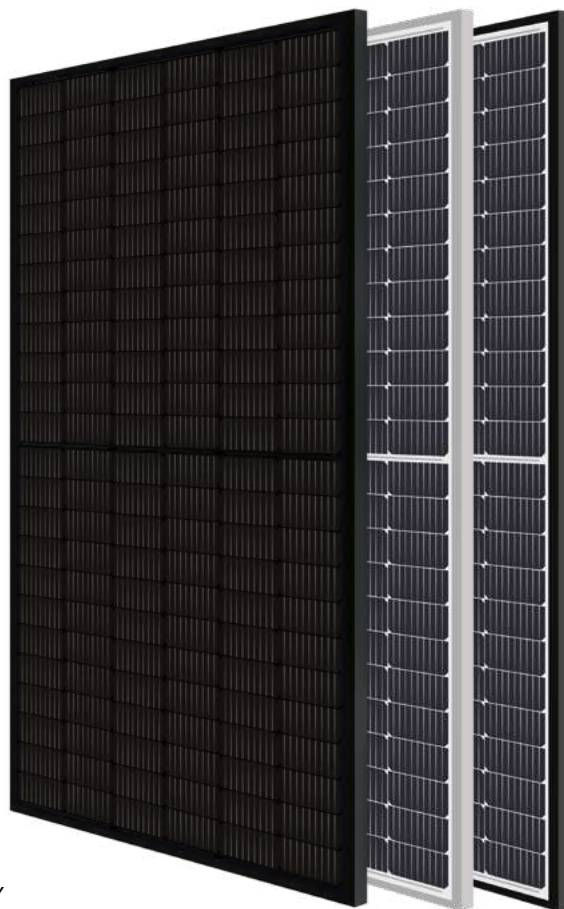
**Fire resistance**  
Maximum protection



**Avoid losses**  
Better shading tolerance



**Efficiency**  
460Wp module



1997 to 2022  
**25<sup>TH</sup>**  
ANNIVERSARY

EUROPEAN QUALITY

## WARRANTIES »

**20** YEARS PRODUCT WARRANTY  
**25** YEARS PERFORMANCE WARRANTY  
Linear Warranty

PRODUCT WARRANTY  
for Premium Partners

**+5**  
YEARS

## CERTIFICATES »



## TECHNICAL FEATURES »

### Eurener\_MEPV 144\_HALF-CUT PLUS\_450-460Wp\_2022EN

#### FRAME

Black / Silver anodized aluminium

Robust and resistant to corrosion

#### CONNECTION BOX AND PROTECTIONS

Sealed, robust and wide for heat dissipation

IP67/IP68 according to IEC 60529

Diodes by-pass built-in (3/6)

Connector MC4 compatible

Application Class A. Safety Class II

Cables 1000 mm ( $\pm 20\%$ ) length and 4 mm<sup>2</sup> section

#### FRONTAL

3,2 mm thick tempered glass with high strength and ARC

Textured, extra-clear with low iron content

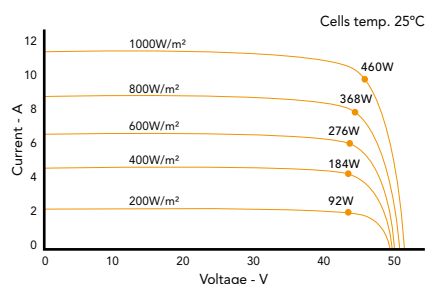
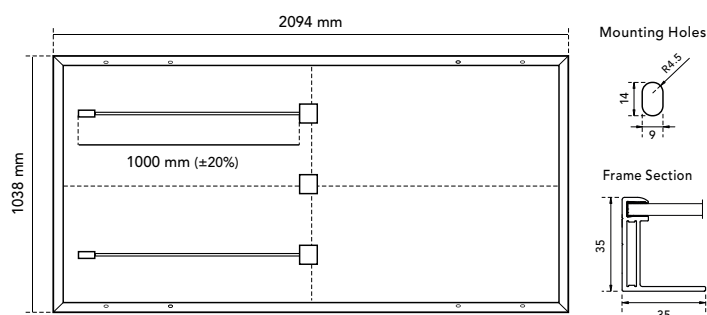
Frontal load (snow) 5400 Pa | Back load (wind) 2400 Pa

#### SOLAR CELLS

144 [2x(12x6)] cells monocrystalline silicon

#### WEIGHT, DIMENSIONS AND PACKAGING

25 Kg | 2094 x 1038 x 35 mm ( $\pm 1\%$ ) | Pack: 726 pcs-truck



## ELECTRIC DATA »

BLACK - STANDARD - BICOLOUR	MEPV 450	MEPV 460
STC: 1000 W/m <sup>2</sup> , module temperature 25°C, AM 1,5		
Nominal power. P <sub>max</sub>	450 Wp	460 Wp
Max. power tolerance. P <sub>max</sub>	0 / +5 W	0 / +5 W
Area of the module	2,17 m <sup>2</sup>	
Module efficiency	20,70 %	21,16 %
I <sub>sc</sub>	11,50 A	11,66 A
V <sub>oc</sub>	49,98 V	50,38 V
I <sub>mp</sub>	10,89 A	11,03 A
V <sub>mp</sub>	41,36 V	41,76 V
NOCT: 800 W/m <sup>2</sup> , ambient temperature 20°C, AM 1,5		
Nominal power. P <sub>max</sub>	338,64 W	349,78 W
I <sub>sc</sub>	9,26 A	9,37 A
V <sub>oc</sub>	47,18 V	47,52 V
I <sub>mp</sub>	8,71 A	8,88 A
V <sub>mp</sub>	38,88 V	39,39 V
Operating parameters. Temperature coefficients		
Maximum voltage	1000 - 1500 V	
Maximum series fuse rating. I <sub>r</sub>	20 A	
$\alpha$ I <sub>sc</sub>	0,046 % / °C	
$\beta$ V <sub>oc</sub>	- 0,276 % / °C	
$\gamma$ P <sub>max</sub>	- 0,381 % / °C	
Temperature range	- 40°C ~ + 85 °C	
NOCT	42 $\pm$ 2 °C	

NOTE: Read the instruction manual of this product and follow the indications STC. Values are valid for: 1000W/m<sup>2</sup>, AM 1,5 and cells temperature of 25°C. Measurement tolerance  $\pm 3\%$  (AAA Solar simulation -IEC 60.904-9-). All the information of this brochure may be amended without notice by Eurener. Eurener\_MEPV 144\_HALF-CUT PLUS\_450-460Wp\_EN\_SEPT2022

1997 to 2022  
**25**  
TH  
ANNIVERSARY

[www.eurenergroupp.com](http://www.eurenergroupp.com)  
contact@eurenerworld.com  
+34 960 045 515  
Calle Colón, 1-23  
46004, Valencia. Spain

#### 25 years manufacturing a better world

Since 1997 our main purpose has been to supply quality and long-lasting photovoltaic modules that allow us and future generations, to continue generating clean energy to take care of our planet.

Monocrystalline Photovoltaic Module »



# MEPV 144 HALF-CUT PLUS

## BLACK » 540 Wp

### QUALITY »



**MBB technology**  
Better light absorption



**Reduced BOS**  
Cost effective product



**+5W**  
Positive power tolerance



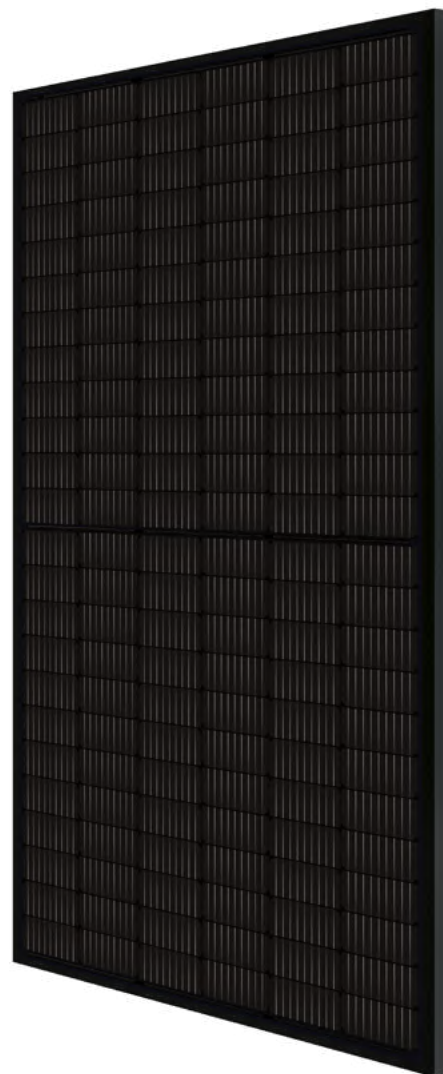
**Fire resistance**  
Maximum protection



**Avoid losses**  
Better shading tolerance



**Efficiency**  
Over 20% efficiency



1997 to 2022  
**25<sup>TH</sup>**  
ANNIVERSARY



### WARRANTIES »

**20** YEARS PRODUCT WARRANTY

**25** YEARS PERFORMANCE WARRANTY  
Linear Warranty

PRODUCT WARRANTY  
for Premium Partners

**+5**  
YEARS

### CERTIFICATES »



## TECHNICAL FEATURES »

### Eurener\_MEPV 144\_HALF-CUT PLUS\_540Wp\_2022EN

#### FRAME

Silver anodized aluminium

Robust and resistant to corrosion

#### CONNECTION BOX AND PROTECTIONS

Sealed, robust and wide for heat dissipation

IP67/IP68 according to IEC 60529

Diodes by-pass built-in (3/6)

Connector MC4 compatible

Application Class A. Safety Class II

Cables 1000 mm ( $\pm 20\%$ ) length and 4 mm<sup>2</sup> section

#### FRONTAL

3,2 mm thick tempered glass with high strength and ARC

Textured, extra-clear with low iron content

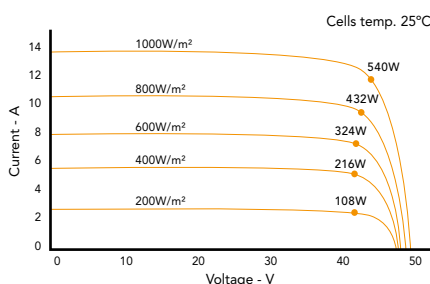
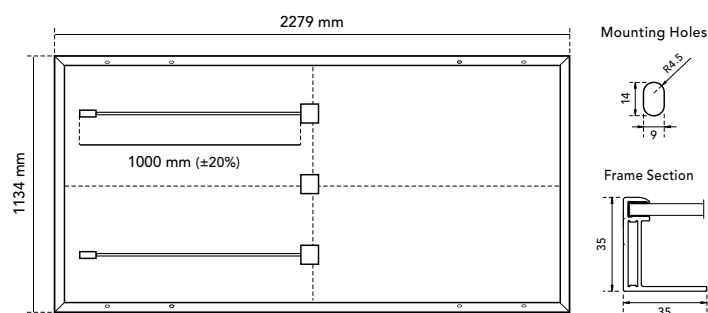
Frontal load (snow) 5400 Pa | Back load (wind) 2400 Pa

#### SOLAR CELLS

144 [2x(12x6)] cells monocrystalline silicon

#### WEIGHT, DIMENSIONS AND PACKAGING

29 Kg | 2279 x 1134 x 35 mm ( $\pm 1\%$ ) | Pack: 620 pcs-truck



## ELECTRIC DATA »

BLACK	MEPV 540
STC: 1000 W/m <sup>2</sup> , module temperature 25°C, AM 1,5	
Nominal power. P <sub>max</sub>	540 Wp
Max. power tolerance. P <sub>max</sub>	0 / +5 W
Area of the module	2,58 m <sup>2</sup>
Module efficiency	20,89 %
I <sub>sc</sub>	13,83 A
V <sub>oc</sub>	49,43 V
I <sub>mp</sub>	13,00 A
V <sub>mp</sub>	41,54 V
NOCT: 800 W/m <sup>2</sup> , ambient temperature 20°C, AM 1,5	
Nominal power. P <sub>max</sub>	407,78 W
I <sub>sc</sub>	11,13 A
V <sub>oc</sub>	46,67 V
I <sub>mp</sub>	10,40 A
V <sub>mp</sub>	39,21 V
Operating parameters. Temperature coefficients	
Maximum voltage	1000 - 1500 V
Maximum series fuse rating. I <sub>r</sub>	25 A
$\alpha$ I <sub>sc</sub>	0,047 % / °C
$\beta$ V <sub>oc</sub>	- 0,27 % / °C
$\gamma$ P <sub>max</sub>	- 0,34 % / °C
Temperature range	- 40°C ~ + 85 °C
NOCT	44 $\pm$ 2 °C

NOTE: Read the instruction manual of this product and follow the indications STC. Values are valid for: 1000W/m<sup>2</sup>, AM 1,5 and cells temperature of 25°C. Measurement tolerance  $\pm 3\%$  (AAA Solar simulation -IEC 60.904-9-). All the information of this brochure may be amended without notice by Eurener. Eurener\_MEPV 144\_HALF-CUT PLUS\_540Wp\_EN\_SEP2022

1997 to 2022  
**25**  
TH  
ANNIVERSARY

[www.eurenergroupp.com](http://www.eurenergroupp.com)  
contact@eurenerworld.com  
+34 960 045 515  
Calle Colón, 1-23  
46004, Valencia. Spain

#### 25 years manufacturing a better world

Since 1997 our main purpose has been to supply quality and long-lasting photovoltaic modules that allow us and future generations, to continue generating clean energy to take care of our planet.

Monocrystalline Photovoltaic Module »



# MEPV 144 HALF-CUT PLUS

STANDARD » 550 Wp

## QUALITY »



**MBB technology**  
Better light absorption



**Reduced BOS**  
Cost effective product



**+5W**  
Positive power tolerance



**Fire resistance**  
Maximum protection



**Avoid losses**  
Better shading tolerance



**Efficiency**  
Over 21% efficiency



1997 to 2022  
**25<sup>TH</sup>**  
ANNIVERSARY



## WARRANTIES »

**20** YEARS PRODUCT WARRANTY

**25** YEARS PERFORMANCE WARRANTY  
Linear Warranty

PRODUCT WARRANTY  
for Premium Partners

**+5**  
YEARS

## CERTIFICATES »



## TECHNICAL FEATURES »

### Eurener\_MEPV 144\_HALF-CUT PLUS\_550Wp\_2022EN

#### FRAME

Silver anodized aluminium

Robust and resistant to corrosion

#### CONNECTION BOX AND PROTECTIONS

Sealed, robust and wide for heat dissipation

IP67/IP68 according to IEC 60529

Diodes by-pass built-in (3/6)

Connector MC4 compatible

Application Class A. Safety Class II

Cables 1000 mm ( $\pm 20\%$ ) length and 4 mm<sup>2</sup> section

#### FRONTAL

3,2 mm thick tempered glass with high strength and ARC

Textured, extra-clear with low iron content

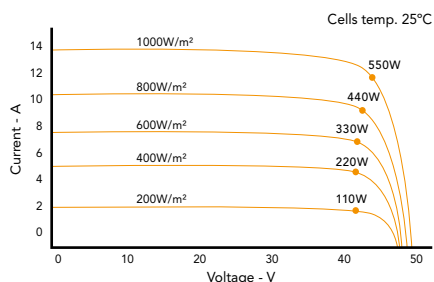
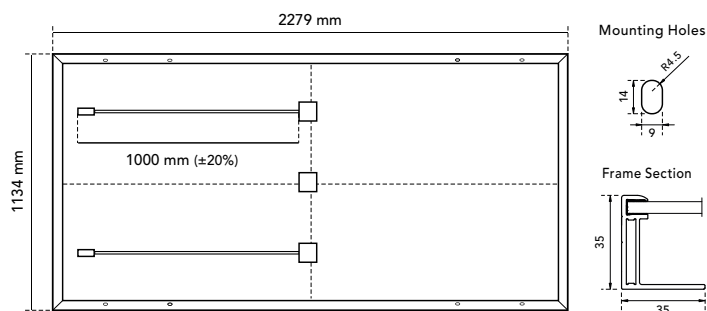
Frontal load (snow) 5400 Pa | Back load (wind) 2400 Pa

#### SOLAR CELLS

144 [2x(12x6)] cells monocrystalline silicon

#### WEIGHT, DIMENSIONS AND PACKAGING

29 Kg | 2279 x 1134 x 35 mm ( $\pm 1\%$ ) | Pack: 620 pcs-truck



## ELECTRIC DATA »

STANDARD	MEPV 550
STC: 1000 W/m <sup>2</sup> , module temperature 25°C, AM 1,5	
Nominal power. Pmax	550 Wp
Max. power tolerance. Pmax	0 / +5 W
Area of the module	2,58 m <sup>2</sup>
Module efficiency	21,28 %
Isc	13,93 A
Voc	49,97 V
Imp	13,12 A
Vmp	41,95 V
NOCT: 800 W/m <sup>2</sup> , ambient temperature 20°C, AM 1,5	
Nominal power. Pmax	415,49 W
Isc	11,22 A
Voc	47,17 V
Imp	10,50 A
Vmp	39,57 V
Operating parameters. Temperature coefficients	
Maximum voltage	1000 - 1500 V
Maximum series fuse rating. Ir	25 A
$\alpha$ Isc	0,047 % / °C
$\beta$ Voc	- 0,27 % / °C
$\gamma$ Pmax	- 0,34 % / °C
Temperature range	- 40°C ~ + 85 °C
NOCT	44 $\pm$ 2 °C

NOTE: Read the instruction manual of this product and follow the indications STC. Values are valid for: 1000W/m<sup>2</sup>, AM 1,5 and cells temperature of 25°C. Measurement tolerance +/-3% (AAA Solar simulation -IEC 60.904-9-). All the information of this brochure may be amended without notice by Eurener. Eurener\_MEPV 144\_HALF-CUT PLUS\_550Wp\_EN\_SEP2022

1997 to 2022  
**25**  
TH  
ANNIVERSARY

[www.eurenergroupp.com](http://www.eurenergroupp.com)  
contact@eurenerworld.com  
+34 960 045 515  
Calle Colón, 1-23  
46004, Valencia. Spain

### 25 years manufacturing a better world

Since 1997 our main purpose has been to supply quality and long-lasting photovoltaic modules that allow us and future generations, to continue generating clean energy to take care of our planet.





PRODUCT  
CATALOGUE  
**2022**



## **MEPV Ultra Premium Series**

↘ *Ecofriendly, powerful & stylish*

## MEPV Ultra Premium Series from 400 to 440Wp

By eliminating the busbars and interconnections on the front of the module, we offer a better aesthetically product that blends in with darker surfaces.



### IBC technology

- Interdigitated back contact. Removing the busbars from the front side reduces the effect of shadows on the solar cells.



### N-type cell

- Due to their composition, offer higher performance and efficiency than P-type cells and reduce the LID and LeTID effect.



### Higher efficiency

- Efficiency of more than 22%.



### Premium integration

- Total black appearance without connections on the front size for a perfect integration in facades and roofs.



### 30 years warranty

- The performance warranty has been increased 90% at 30th year.



### Better temp. coefficient (-0,29%/°C)

- This allows higher power output in difficult conditions for the silicon.





## **MEPV Ultra Premium Series**

### ↘ *DATA SHEETS*

| Eurener\_MEPV 120\_ULTRA PREMIUM\_400Wp

| Eurener\_MEPV 132\_ULTRA PREMIUM\_440Wp

# MEPV 120 ULTRA PREMIUM

## BLACK » 400 Wp

### QUALITY »



**IBC technology**  
Interdigitated  
back contact



**N-type cell**  
120 Half-Cut IBC



**Staubli MC4**  
Top quality components



**Premium integration**  
Total black



**Long durability**  
90% at the 30th year



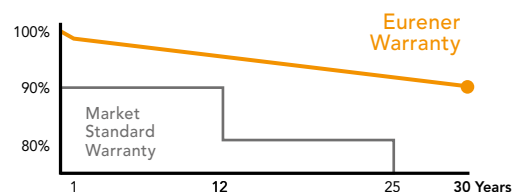
**Efficiency**  
Over 22% efficiency



### WARRANTIES »

**20 YEARS PRODUCT WARRANTY**  
+5 years for Premium Partners

**30 YEARS PERFORMANCE WARRANTY**  
Linear Warranty



### CERTIFICATES »



## TECHNICAL FEATURES »

### Eurener\_MEPV 120\_ULTRA PREMIUM\_400Wp\_2022EN

#### FRAME

Black anodized aluminium

Robust and resistant to corrosion

#### CONNECTION BOX AND PROTECTIONS

Sealed, robust and wide for heat dissipation

IP68 according to IEC 60529

Diodes by-pass built-in (3/6)

Connector MC4

Application Class A. Safety Class II

Cables 1000 mm ( $\pm 20\%$ ) length and 4 mm<sup>2</sup> section

#### FRONTAL

3,2 mm thick tempered glass with high strength and ARC

Textured, extra-clear with low iron content

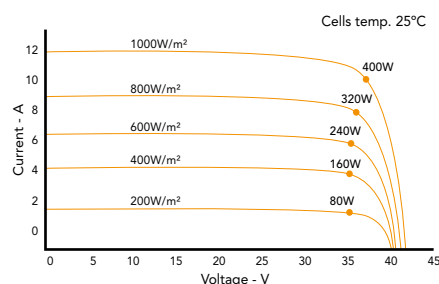
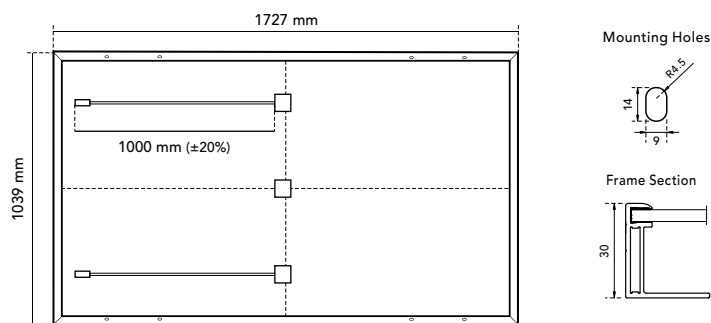
Frontal load (snow) 5400 Pa | Back load (wind) 2400 Pa

#### SOLAR CELLS

120 (6x20) cells monocrystalline silicon

#### WEIGHT, DIMENSIONS AND PACKAGING

20 Kg | 1727 x 1039 x 30 mm ( $\pm 1\%$ ) | Pack: 949 pcs-truck



## ELECTRIC DATA »

BLACK	MEPV 400
<b>STC: 1000 W/m<sup>2</sup>, module temperature 25°C, AM 1,5</b>	
Nominal power. Pmax	400 Wp
Max. power tolerance. Pmax	0 / +5 W
Area of the module	1,79 m <sup>2</sup>
Module efficiency	22,30 %
Isc	12,05 A
Voc	42,10 V
Imp	11,09 A
Vmp	36,10 V
<b>NOCT: 800 W/m<sup>2</sup>, ambient temperature 20°C, AM 1,5</b>	
Nominal power. Pmax	302 W
Isc	9,65 A
Voc	40,30 V
Imp	9,02 A
Vmp	33,50 V
<b>Operating parameters. Temperature coefficients</b>	
Maximum voltage	1500 V
Maximum series fuse rating. Ir	20 A
$\alpha$ Isc	0,046 % / °C
$\beta$ Voc	- 0,246 % / °C
$\gamma$ Pmax	- 0,290 % / °C
Temperature range	- 40°C ~ + 85 °C
NOCT	43 $\pm$ 2 °C

NOTE: Read the instruction manual of this product and follow the indications STC. Values are valid for: 1000W/m<sup>2</sup>, AM 1,5 and cells temperature of 25°C. Measurement tolerance  $\pm 3\%$  (AAA Solar simulation -IEC 60.904-9-). All the information of this brochure may be amended without notice by Eurener. Eurener\_MEPV 120\_ULTRA PREMIUM\_400Wp\_EN\_SEP2022

1997 to 2022  
**25**  
TH  
ANNIVERSARY

[www.eurenergroupp.com](http://www.eurenergroupp.com)  
contact@eurenerworld.com  
+34 960 045 515  
Calle Colón, 1-23  
46004, Valencia. Spain

### 25 years manufacturing a better world

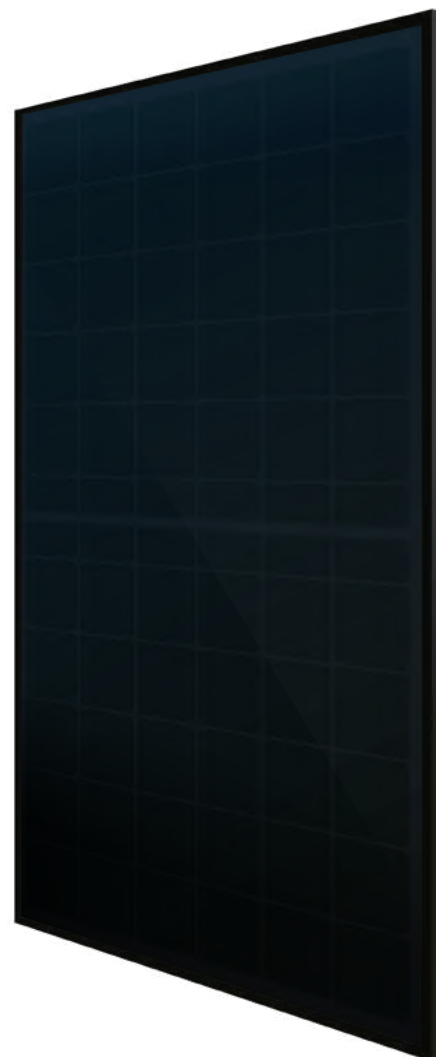
Since 1997 our main purpose has been to supply quality and long-lasting photovoltaic modules that allow us and future generations, to continue generating clean energy to take care of our planet.

Monocrystalline Photovoltaic Module »



# MEPV 132 ULTRA PREMIUM

## BLACK » 440 Wp



### QUALITY »



**IBC technology**  
Interdigitated  
back contact



**N-type cell**  
132 Half-Cut IBC



**Staubli MC4**  
Top quality components



**Premium integration**  
Total black



**Long durability**  
90% at the 30th year



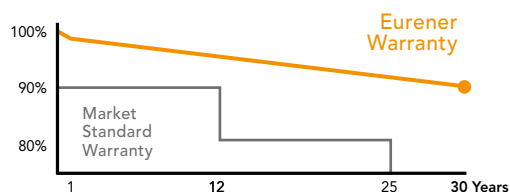
**+22%**  
Efficiency  
Over 22% efficiency



### WARRANTIES »

**20 YEARS PRODUCT WARRANTY**  
+5 years for Premium Partners

**30 YEARS PERFORMANCE WARRANTY**  
Linear Warranty



### CERTIFICATES »



## TECHNICAL FEATURES »

### Eurener\_MEPV 132\_ULTRA PREMIUM\_440Wp\_2022EN

#### FRAME

Black anodized aluminium

Robust and resistant to corrosion

#### CONNECTION BOX AND PROTECTIONS

Sealed, robust and wide for heat dissipation

IP68 according to IEC 60529

Diodes by-pass built-in (3/6)

Connector MC4

Application Class A. Safety Class II

Cables 1000 mm ( $\pm 20\%$ ) length and 4 mm<sup>2</sup> section

#### FRONTAL

3,2 mm thick tempered glass with high strength and ARC

Textured, extra-clear with low iron content

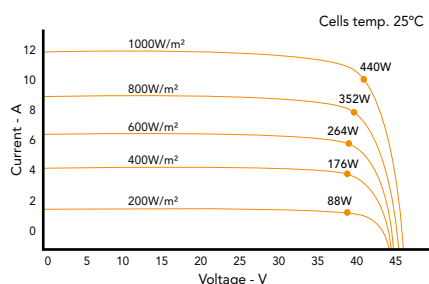
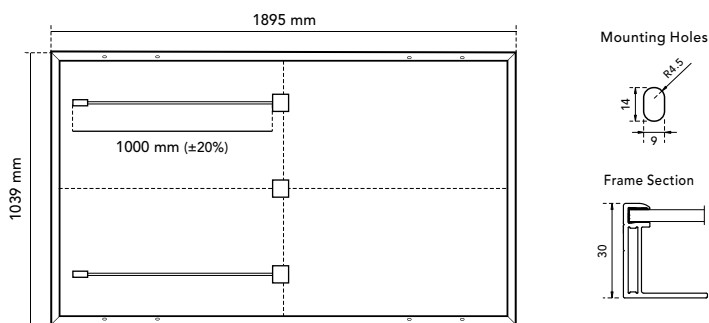
Frontal load (snow) 5400 Pa | Back load (wind) 2400 Pa

#### SOLAR CELLS

132 (22x6) cells monocrystalline silicon

#### WEIGHT, DIMENSIONS AND PACKAGING

21 Kg | 1895 x 1039 x 30 mm ( $\pm 1\%$ ) | Pack: 900 pcs-truck



## ELECTRIC DATA »

BLACK	MEPV 440
STC: 1000 W/m <sup>2</sup> , module temperature 25°C, AM 1,5	
Nominal power. P <sub>max</sub>	440 W <sub>p</sub>
Max. power tolerance. P <sub>max</sub>	0 / +5 W
Area of the module	1,96 m <sup>2</sup>
Module efficiency	22,35 %
I <sub>sc</sub>	12,06 A
V <sub>oc</sub>	46,30 V
I <sub>mp</sub>	11,12 A
V <sub>mp</sub>	39,60 V
NOCT: 800 W/m <sup>2</sup> , ambient temperature 20°C, AM 1,5	
Nominal power. P <sub>max</sub>	332 W
I <sub>sc</sub>	9,73 A
V <sub>oc</sub>	44,40 V
I <sub>mp</sub>	8,89 A
V <sub>mp</sub>	37,00 V
Operating parameters. Temperature coefficients	
Maximum voltage	1500 V
Maximum series fuse rating. I <sub>r</sub>	20 A
α I <sub>sc</sub>	0,046 % / °C
β V <sub>oc</sub>	- 0,246 % / °C
γ P <sub>max</sub>	- 0,290 % / °C
Temperature range	- 40°C ~ + 85 °C
NOCT	43 ± 2 °C

NOTE: Read the instruction manual of this product and follow the indications STC. Values are valid for: 1000W/m<sup>2</sup>, AM 1,5 and cells temperature of 25°C. Measurement tolerance +/-3% (AAA Solar simulation -IEC 60.904-9-). All the information of this brochure may be amended without notice by Eurener. Eurener\_MEPV 132\_ULTRA PREMIUM\_440Wp\_EN\_SEP2022

1997 to 2022  
**25**  
TH  
ANNIVERSARY

[www.eurenergroupp.com](http://www.eurenergroupp.com)  
contact@eurenerworld.com  
+34 960 045 515  
Calle Colón, 1-23  
46004, Valencia, Spain

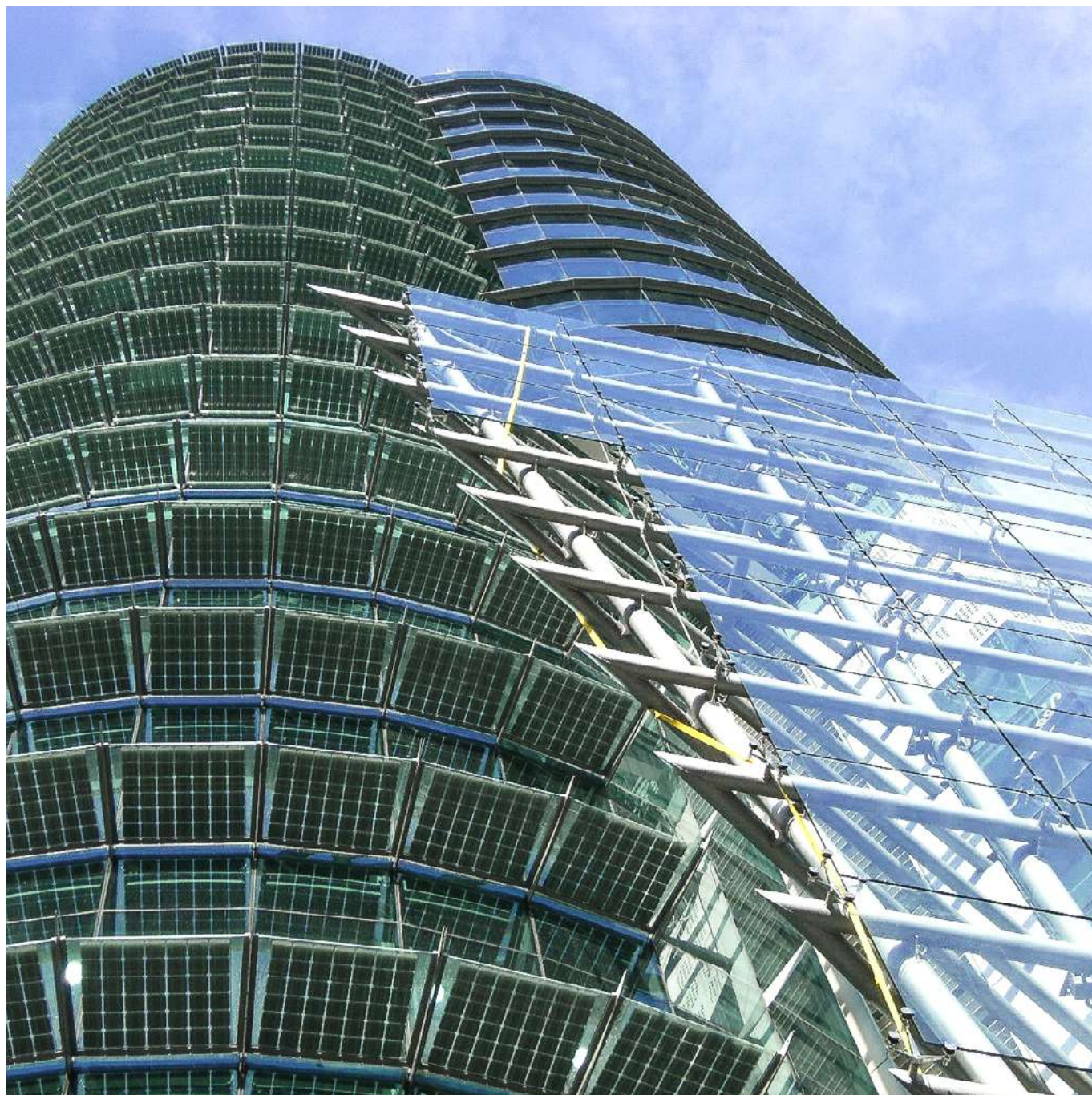
#### 25 years manufacturing a better world

Since 1997 our main purpose has been to supply quality and long-lasting photovoltaic modules that allow us and future generations, to continue generating clean energy to take care of our planet.





PRODUCT  
CATALOGUE  
**2022**



## **MEPV Double Glass Series**

↘ *To the visionaries*

## MEPV Double Glass Series from 375 to 380Wp

Energy losses due to shading are avoided, allowing an increase of power production.



### Multi Busbars (MBB)

- The busbars are thinner and rounded to increase the light absorption.



### Glass

- Increased mechanical resistance (5.400 Pa / 2.400 Pa).
- Increased resistance to rust and abrasion for increased durability.



### Different finishing

- Framed or frameless for a customised integration.



### Product versatility

- Module with translucent aesthetics.
- Multiple project typologies.



### Original MC4 connectors

- We work with the best brands of components under request.



### 30 years warranty

- Our Double Glass modules suffer less degradation due to the elimination of the backsheet.
- 30 years of product and performance warranty.





## **MEPV Double Glass Series**

### **↳ DATA SHEETS**

| Eurener\_MEPV 120\_DOUBLE GLASS\_375-380Wp

| Eurener\_MEPV 120\_DOUBLE GLASS\_Frameless\_375-380Wp

# MEPV 120 DOUBLE GLASS

STANDARD - BLACK »  
375 / 380 Wp

## QUALITY »



**MBB technology**  
Better light absorption



**BIPV**  
Architectural integration



**Load endurance**  
Front load / Back load



**Translucent**  
Light can pass through it



**+5W**  
Positive power tolerance



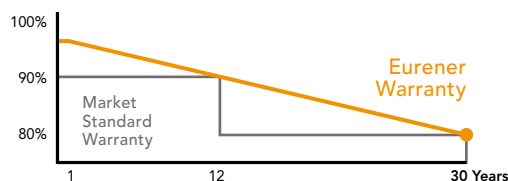
**Long durability**  
Continuous performance



## WARRANTIES »

**30 YEARS PRODUCT WARRANTY**

**30 YEARS PERFORMANCE WARRANTY**  
Linear Warranty



## CERTIFICATES »



## TECHNICAL FEATURES »

### Eurener\_MEPV 120\_DOUBLE GLASS\_375-380Wp\_2022EN

#### FRAME

Black / Silver anodized aluminium

Robust and resistant to corrosion

#### GLASS

Back Glass | 2 mm tempered glass / 2 mm ceramic coated glass

Front Glass | 2mm tempered ARC glass

#### CONNECTION BOX AND PROTECTIONS

Sealed, robust and wide for heat dissipation

IP67/IP68 according to IEC 60529

Diodes by-pass built-in (3/6)

Connector MC4 compatible

Application Class A. Safety Class II

Cables 1000 mm ( $\pm 20\%$ ) length and 4 mm<sup>2</sup> section

#### FRONTAL

2 mm + 2 mm tempered glass

Textured, extra-clear with low iron content

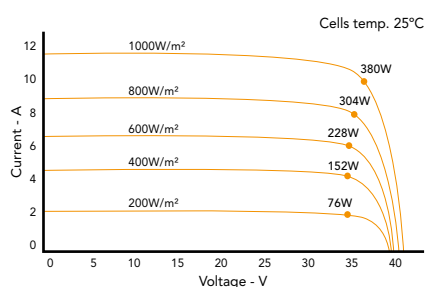
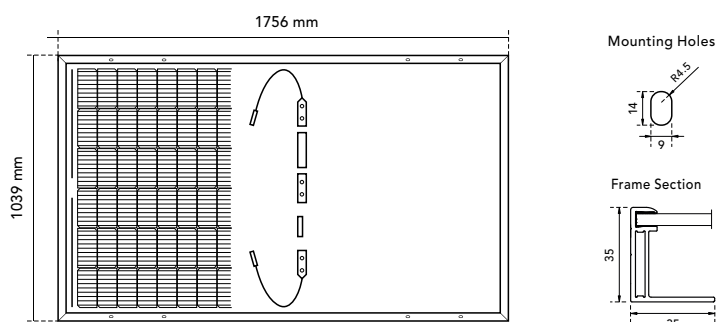
Frontal load (snow) 5400 Pa | Back load (wind) 2400 Pa

#### SOLAR CELLS

120 cells monocrystalline silicon

#### WEIGHT, DIMENSIONS AND PACKAGING

26 Kg | 1756 x 1039 x 35 mm ( $\pm 1\%$ ) | Pack: 871 pcs-truck



## ELECTRIC DATA »

STANDARD - BLACK	MEPV 375	MEPV 380
STC: 1000 W/m <sup>2</sup> , module temperature 25°C, AM 1,5		
Nominal power. Pmax	375 Wp	380 Wp
Max. power tolerance. Pmax	0 / +5 W	0 / +5 W
Area of the module	1,82 m <sup>2</sup>	
Module efficiency	20,55 %	20,83 %
Isc	11,78 A	11,90 A
Voc	41,00 V	41,10 V
Imp	11,10 A	11,20 A
Vmp	33,80 V	33,95 V
NOCT: 800 W/m <sup>2</sup> , ambient temperature 20°C, AM 1,5		
Nominal power. Pmax	279,55 W	283,23 W
Isc	9,48 A	9,56 A
Voc	37,92 V	38,02 V
Imp	8,94 A	9,02 A
Vmp	31,27 V	31,40 V
Operating parameters. Temperature coefficients		
Maximum voltage	1000 - 1500 V	
Maximum series fuse rating. Ir	15 A	
$\alpha$ Isc	0,06 % / °C	
$\beta$ Voc	- 0,30 % / °C	
$\gamma$ Pmax	- 0,4 % / °C	
Temperature range	- 45°C ~ + 85 °C	
NOCT	42 $\pm$ 2 °C	

NOTE: Read the instruction manual of this product and follow the indications STC. Values are valid for: 1000W/m<sup>2</sup>, AM 1,5 and cells temperature of 25°C. Measurement tolerance +/-3% (AAA Solar simulation -IEC 60.904-9-). All the information of this brochure may be amended without notice by Eurener. Eurener\_MEPV 120\_DOUBLE GLASS\_375-380Wp\_EN\_SEP2022

1997 TO 2022  
**25**  
TH  
ANNIVERSARY

[www.eurenergroupp.com](http://www.eurenergroupp.com)  
contact@eurenerworld.com  
+34 960 045 515  
Calle Colón, 1-23  
46004, Valencia. Spain

## 25 years manufacturing a better world

Since 1997 our main purpose has been to supply quality and long-lasting photovoltaic modules that allow us and future generations, to continue generating clean energy to take care of our planet.

Monocrystalline Photovoltaic Module »



# MEPV 120 DOUBLE GLASS

FRAMELESS » 375 / 380 Wp

## QUALITY »



**MBB technology**  
Better light absorption



**BIPV**  
Architectural integration



**Load endurance**  
Front load / Back load



**Translucent**  
Light can pass through it



**+5W**  
Positive power tolerance



**Long durability**  
Continuous performance



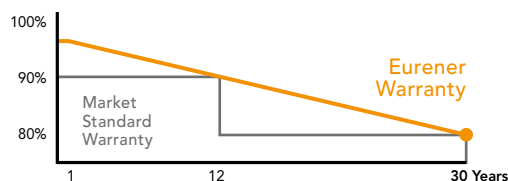
1997 to 2022  
**25<sup>TH</sup>**  
ANNIVERSARY

EUROPEAN QUALITY

## WARRANTIES »

**30** YEARS PRODUCT WARRANTY

**30** YEARS PERFORMANCE WARRANTY  
Linear Warranty



## CERTIFICATES »



## TECHNICAL FEATURES »

### Eurener\_MEPV 120\_DOUBLE GLASS Frameless\_375-380Wp\_2022EN

#### GLASS

Back Glass | 2 mm tempered glass / 2 mm ceramic coated glass

Front Glass | 2mm tempered ARC glass

#### CONNECTION BOX AND PROTECTIONS

Sealed, robust and wide for heat dissipation

IP67/IP68 according to IEC 60529

Diodes by-pass built-in (3/6)

Connector MC4 compatible

Application Class A. Safety Class II

Cables 1000 mm ( $\pm 20\%$ ) length and 4 mm<sup>2</sup> section

#### FRONTAL

2 mm + 2 mm tempered glass

Textured, extra-clear with low iron content

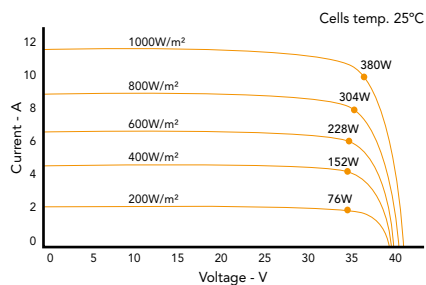
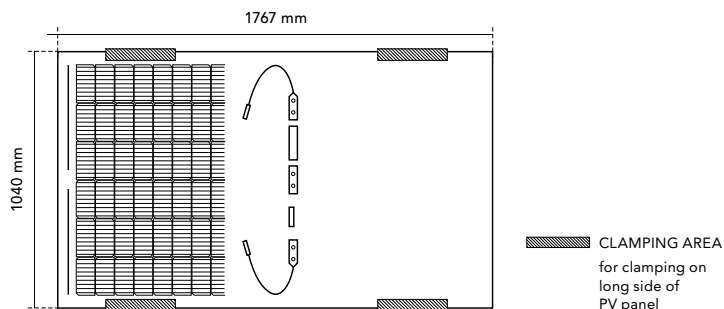
Frontal load (snow) 5400 Pa | Back load (wind) 2400 Pa

#### SOLAR CELLS

120 cells monocrystalline silicon

#### WEIGHT, DIMENSIONS AND PACKAGING

26 Kg | 1767 x 1040 x 6 mm ( $\pm 1\%$ ) | Pack: 871 pcs-truck



## ELECTRIC DATA »

FRAMELESS	MEPV 375	MEPV 380
STC: 1000 W/m <sup>2</sup> , module temperature 25°C, AM 1,5		
Nominal power. P <sub>max</sub>	375 W <sub>p</sub>	380 W <sub>p</sub>
Max. power tolerance. P <sub>max</sub>	0 / +5 W	0 / +5 W
Area of the module	1,80 m <sup>2</sup>	
Module efficiency	20,41 %	20,68 %
I <sub>sc</sub>	11,78 A	11,90 A
V <sub>oc</sub>	41,00 V	41,10 V
I <sub>mp</sub>	11,10 A	11,20 A
V <sub>mp</sub>	33,80 V	33,95 V
NOCT: 800 W/m <sup>2</sup> , ambient temperature 20°C, AM 1,5		
Nominal power. P <sub>max</sub>	279,55 W	283,23 W
I <sub>sc</sub>	9,48 A	9,56 A
V <sub>oc</sub>	37,92 V	38,02 V
I <sub>mp</sub>	8,94 A	9,02 A
V <sub>mp</sub>	31,27 V	31,40 V
Operating parameters. Temperature coefficients		
Maximum voltage	1000 - 1500 V	
Maximum series fuse rating. I <sub>r</sub>	15 A	
α I <sub>sc</sub>	0,06 % / °C	
β V <sub>oc</sub>	- 0,30 % / °C	
γ P <sub>max</sub>	- 0,4 % / °C	
Temperature range	- 45°C ~ + 85 °C	
NOCT	42 ± 2 °C	

NOTE: Read the instruction manual of this product and follow the indications STC. Values are valid for: 1000W/m<sup>2</sup>, AM 1,5 and cells temperature of 25°C. Measurement tolerance +/-3% (AAA Solar simulation -IEC 60.904-9-). All the information of this brochure may be amended without notice by Eurener. Eurener\_MEPV 120\_DOUBLE GLASS Frameless\_375-380Wp\_EN\_SEP2022

1997 to 2022  
**25**  
TH  
ANNIVERSARY

[www.eurenergroupp.com](http://www.eurenergroupp.com)  
contact@eurenerworld.com  
+34 960 045 515  
Calle Colón, 1-23  
46004, Valencia. Spain

### 25 years manufacturing a better world

Since 1997 our main purpose has been to supply quality and long-lasting photovoltaic modules that allow us and future generations, to continue generating clean energy to take care of our planet.





PRODUCT  
CATALOGUE  
**2022**



## **MEPV Bifacial Series**

↘ *For those who define limits*

## MEPV Bifacial Series - 550Wp

Energy losses due to shading are avoided, allowing optimisation of electricity production.



### Multi Busbars (MBB)

- Thinner and rounded to increase the light absorption.



### Glass

- Increased mechanical resistance (5.400 Pa / 2.400 Pa).
- Increased resistance to rust and abrasion for increased durability.



### 1500V

- Maximum power per module to reduce LCOE.



### Albedo

- It has considerable gains on grass land (7%), dry sand (9%), especially in snowfield (19%).



### DHI

- Diffuse light can be absorbed by the rear side of the module.





## **MEPV Bifacial Series**

↘ *DATA SHEETS*

| Eurener\_MEPV 144\_BIFACIAL\_550Wp

# MEPV 144 BIFACIAL

## STANDARD » 550Wp

### QUALITY »



**144 cells**  
Half-Cut monocrystalline



**Bifacial PERC**  
Generates solar energy from both sides



**Load endurance**  
Front load / Back load



**Translucent**  
Light can pass through it



**+5W**  
Positive power tolerance



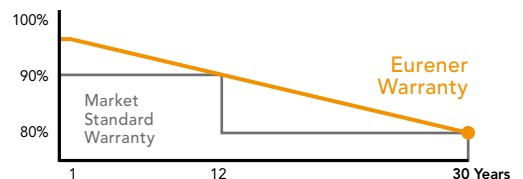
**+21%**  
Efficiency  
Over 21% efficiency



### WARRANTIES »

**30 YEARS PRODUCT WARRANTY**

**30 YEARS PERFORMANCE WARRANTY**  
Linear Warranty



### CERTIFICATES »



## TECHNICAL FEATURES »

### Eurener\_MEPV 144\_BIFACIAL\_550W\_2022EN

#### FRAME

Silver anodized aluminium

Robust and resistant to corrosion

#### GLASS

Back Glass | 2 mm heat strengthened glass

Front Glass | 2mm heat strengthened glass

Deeply textured glass to reduce glare

Deflection: SLS load L/40 | ULS load L/30

#### CONNECTION BOX AND PROTECTIONS

Sealed, robust and wide for heat dissipation

IP67/IP68 according to IEC 60529

Diodes by-pass built-in (3/6)

Connector MC4 compatible

Application Class A. Safety Class II

Cables 1000 mm ( $\pm 20\%$ ) length and 4 mm<sup>2</sup> section

#### FRONTAL

Textured, extra-clear with low iron content

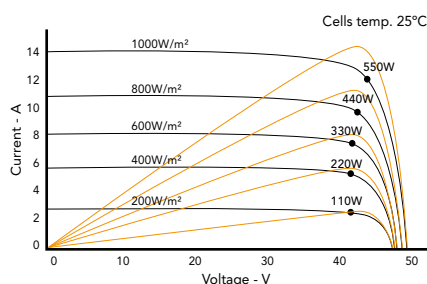
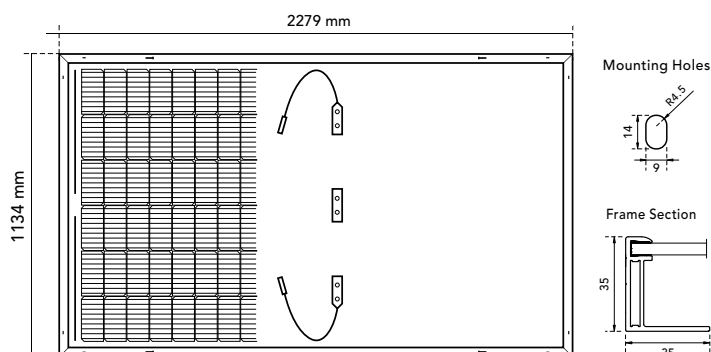
Frontal load (snow) 5400 Pa | Back load (wind) 2400 Pa

#### SOLAR CELLS

144 cells monocrystalline bi-facial

#### WEIGHT AND DIMENSIONS

29 Kg | 2279 x 1134 x 35 mm ( $\pm 1\%$ ) | Pack: 620 pcs-truck



## ELECTRIC DATA »

STANDARD		MEPV 550			
STC: 1000 W/m <sup>2</sup> , module temperature 25°C, AM 1,5					
Nominal power. P <sub>max</sub>		550 W			
Max. power tolerance. P <sub>max</sub>		0 / +5 W			
Area of the module		2,58 m <sup>2</sup>			
Module efficiency		21,28 %			
I <sub>sc</sub>		14,30 A			
V <sub>oc</sub>		49,32 V			
I <sub>mp</sub>		13,27 A			
V <sub>mp</sub>		41,45 V			
Double side power output (Max. power) - 10%		605 W			
Double side power output (Max. power) - 15%		632,50 W			
Double side power output (Max. power) - 20%		660 W			
Double side power output (Max. power) - 30%		715 W			
NOCT		42 $\pm$ 2 °C			
Maximum voltage: 1500 V	Maximum series fuse rating. I <sub>r</sub> : 20 A	$\alpha$ I <sub>sc</sub> : 0,04 % / °C	$\beta$ V <sub>oc</sub> : - 0,27 % / °C	$\gamma$ P <sub>max</sub> : - 0,34 % / °C	Temperature range: - 40°C ~ +85°C

NOTE: Read the instruction manual of this product and follow the indications STC. Values are valid for: 1000W/m<sup>2</sup>, AM 1,5 and cells temperature of 25°C. Measurement tolerance +/-3% (AAA Solar simulation -IEC 60.904-9-). All the information of this brochure may be amended without notice by Eurener. Eurener\_MEPV 144\_BIFACIAL\_550W\_EN\_SEP2022

1997 to 2022  
**25**  
TH  
ANNIVERSARY

[www.eurenergroupp.com](http://www.eurenergroupp.com)  
contact@eurenerworld.com  
+34 960 045 515  
Calle Colón, 1-23  
46004, Valencia. Spain

### 25 years manufacturing a better world

Since 1997 our main purpose has been to supply quality and long-lasting photovoltaic modules that allow us and future generations, to continue generating clean energy to take care of our planet.



PRODUCT  
CATALOGUE  
**2022**



## MEPV & PEPV Classic Series

↘ *Power takes no place*



## MEPV & PEPV Classic Series from 280 to 345Wp

The classic 60 and 72-cell modules, both monocrystalline and polycrystalline, have dominated the market for years and a large number of installations have been carried out with this technology.



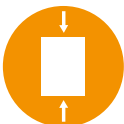
### Polycrystalline

- Polycrystalline option available.



### M0 & M3 cells

- Modules with 156 and 158,75mm cells.



### Reduced size

- More manageable.



### Customisable frame

- Customisable frame in 35mm or 40mm.



### Class I fire resistance

- Maximum protection.





## **MEPV & PEPV Classic Series**

### ↘ *DATA SHEETS*

- | Eurener\_MEPV 60\_TURBO SUPERIOR\_300Wp
- | Eurener\_MEPV 60\_TURBO SUPERIOR\_300-320Wp
- | Eurener\_PEPV 60\_SUPERIOR\_280-285Wp
- | Eurener\_PEPV 72\_STANDARD\_340-345Wp
- | Eurener\_PEPV 120\_HALF-CUT\_300Wp

Monocrystalline Photovoltaic Module »



# MEPV 60 TURBO SUPERIOR

BLACK - STANDARD - BICOLOUR »  
**300 Wp**

## QUALITY »



**60 cells**  
Monocrystalline



**+5W**  
Positive power tolerance



**Long durability**  
Continuous performance



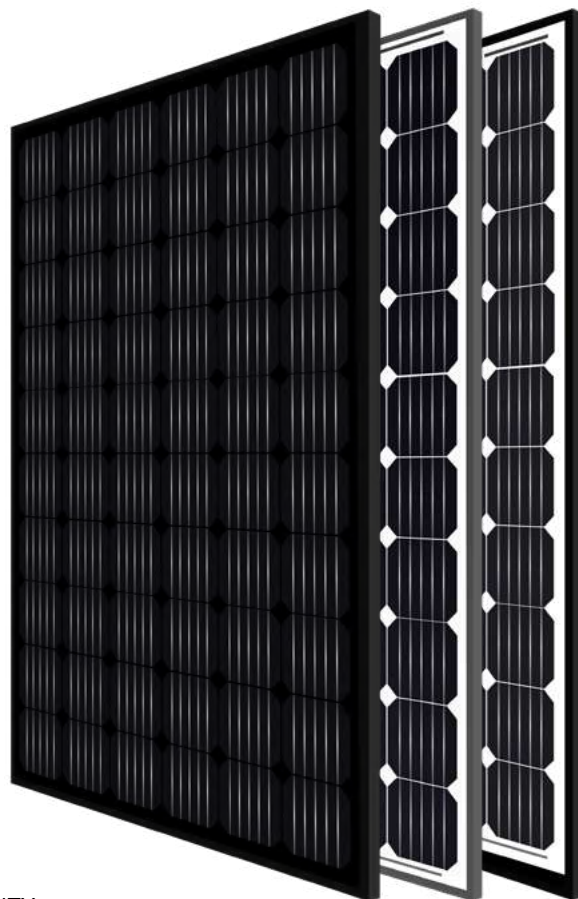
**Proven technology**  
More reliable



**Fire resistance**  
Maximum protection



**Optimal performance**  
Power and efficiency



1997 to 2022  
**25<sup>TH</sup>**  
ANNIVERSARY



## WARRANTIES »

**20** YEARS PRODUCT WARRANTY

**25** YEARS PERFORMANCE WARRANTY  
Linear Warranty

PRODUCT WARRANTY  
for Premium Partners

**+5**  
YEARS

## CERTIFICATES »



## TECHNICAL FEATURES »

### Eurener\_MEPV 60\_TURBO SUPERIOR\_300Wp\_2022EN

#### FRAME

Black / Silver anodized aluminium

Robust and resistant to corrosion

#### CONNECTION BOX AND PROTECTIONS

Sealed, robust and wide for heat dissipation

IP67/IP68 according to IEC 60529

Diodes by-pass built-in (3/6)

Connector MC4 compatible

Application Class A. Safety Class II

Cables 1000 mm ( $\pm 20\%$ ) length and 4 mm<sup>2</sup> section

#### FRONTAL

3,2 mm thick tempered glass with high strength and ARC

Textured, extra-clear with low iron content

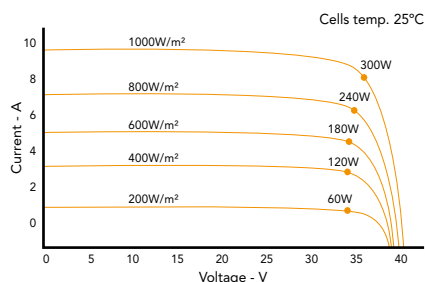
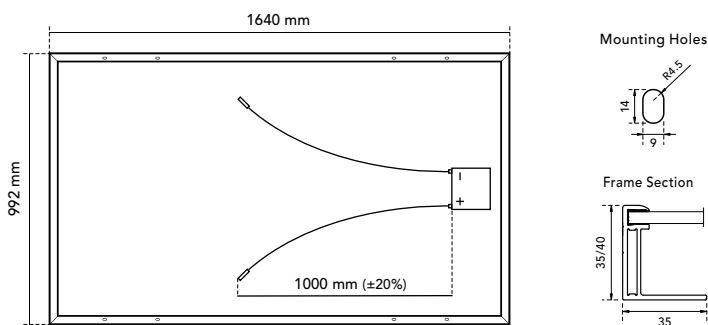
Frontal load (snow) 5400 Pa | Back load (wind) 2400 Pa

#### SOLAR CELLS

60 cells monocrystalline silicon

#### WEIGHT, DIMENSIONS AND PACKAGING

18,5 Kg | 1640 x 992 x 35 mm ( $\pm 1\%$ ) | Pack: 896/784 pcs-truck



## ELECTRIC DATA »

BLACK - STANDARD - BICOLOUR	MEPV 300
STC: 1000 W/m <sup>2</sup> , module temperature 25°C, AM 1,5	
Nominal power. Pmax	300 Wp
Max. power tolerance. Pmax	0 / +5 W
Area of the module	1,62 m <sup>2</sup>
Module efficiency	18,45 %
Isc	9,72 A
Voc	40,10 V
Imp	9,21 A
Vmp	32,60 V
NOCT: 800 W/m <sup>2</sup> , ambient temperature 20°C, AM 1,5	
Nominal power. Pmax	224 W
Isc	8,01 A
Voc	37,00 V
Imp	7,32 A
Vmp	30,60 V
Operating parameters. Temperature coefficients	
Maximum voltage	1000 - 1500 V
Maximum series fuse rating. Ir	15 A
$\alpha$ Isc	0,048 % / °C
$\beta$ Voc	- 0,29 % / °C
$\gamma$ Pmax	- 0,39 % / °C
Temperature range	- 40°C ~ + 85°C
NOCT	45 $\pm$ 2 °C

NOTE: Read the instruction manual of this product and follow the indications STC. Values are valid for: 1000W/m<sup>2</sup>, AM 1,5 and cells temperature of 25°C. Measurement tolerance +/-3% (AAA Solar simulation -IEC 60.904-9-). All the information of this brochure may be amended without notice by Eurener. Eurener\_MEPV 60\_TURBO SUPERIOR\_300Wp\_EN\_SEP2022

1997 to 2022  
**25**  
TH  
ANNIVERSARY

[www.eurenergroupp.com](http://www.eurenergroupp.com)  
contact@eurenerworld.com  
+34 960 045 515  
Calle Colón, 1-23  
46004, Valencia. Spain

### 25 years manufacturing a better world

Since 1997 our main purpose has been to supply quality and long-lasting photovoltaic modules that allow us and future generations, to continue generating clean energy to take care of our planet.

Monocrystalline Photovoltaic Module »



# MEPV 60 TURBO SUPERIOR

BLACK - STANDARD - BICOLOUR »  
300 / 310 / 315 / **320 Wp**

## QUALITY »



**60 cells**  
Monocrystalline



**+5W**  
Positive power tolerance



**Long durability**  
Continuous performance



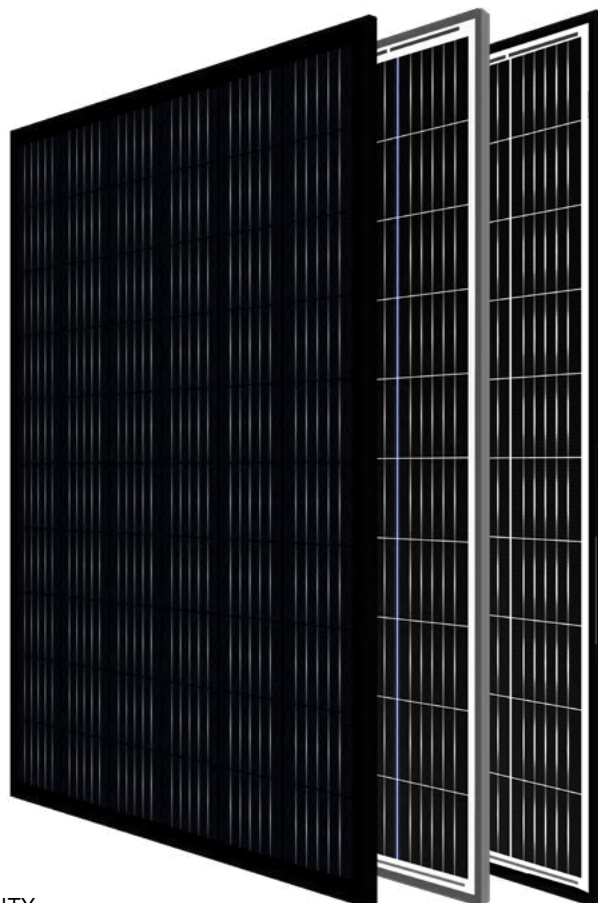
**Proven technology**  
More reliable



**FIRE CLASS I**  
UNI 9177  
**Fire resistance**  
Maximum protection



**Optimal performance**  
Power and efficiency



1997 to 2022  
**25<sup>TH</sup>**  
ANNIVERSARY



## WARRANTIES »

**20** YEARS PRODUCT WARRANTY

**25** YEARS PERFORMANCE WARRANTY  
Linear Warranty

PRODUCT WARRANTY  
for Premium Partners

**+5**  
YEARS

## CERTIFICATES »



## TECHNICAL FEATURES »

### Eurener\_MEPV 60\_TURBO SUPERIOR\_300-320Wp\_2022EN

#### FRAME

Black / Silver anodized aluminium

Robust and resistant to corrosion

#### CONNECTION BOX AND PROTECTIONS

Sealed, robust and wide for heat dissipation

IP67/IP68 according to IEC 60529

Diodes by-pass built-in (3/6)

Connector MC4 compatible

Application Class A. Safety Class II

Cables 1000 mm ( $\pm 20\%$ ) length and 4 mm<sup>2</sup> section

#### FRONTAL

3,2 mm thick tempered glass with high strength and ARC

Textured, extra-clear with low iron content

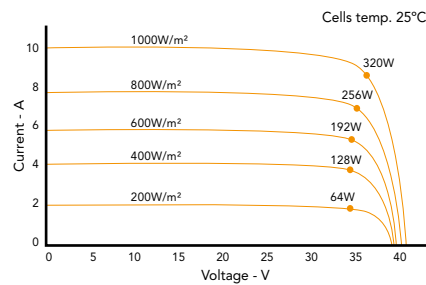
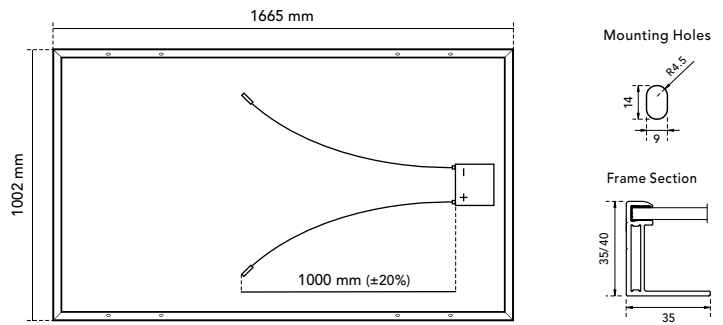
Frontal load (snow) 5400 Pa | Back load (wind) 2400 Pa

#### SOLAR CELLS

60 cells monocrystalline silicon

#### WEIGHT, DIMENSIONS AND PACKAGING

19 Kg | 1665 x 1002 x 35/40 mm ( $\pm 1\%$ ) | Pack: 896/784 pcs-truck



## ELECTRIC DATA »

BLACK - STANDARD - BICOLOUR	MEPV 300	MEPV 310	MEPV 315	MEPV 320
STC: 1000 W/m <sup>2</sup> , module temperature 25°C, AM 1,5				
Nominal power. Pmax	300 Wp	310 Wp	315 Wp	320 Wp
Max. power tolerance. Pmax	0 / +5 W	0 / +5 W	0 / +5 W	0 / +5 W
Area of the module	1,67 m <sup>2</sup>			
Module efficiency	17,98 %	18,59 %	18,88 %	19,19 %
Isc	9,82 A	9,93 A	10,04 A	10,15 A
Voc	40,30 V	40,50 V	40,70 V	40,90 V
Imp	9,15 A	9,40 A	9,49 A	9,59 A
Vmp	32,80 V	33,00 V	33,20 V	33,40 V
NOCT: 800 W/m <sup>2</sup> , ambient temperature 20°C, AM 1,5				
Nominal power. Pmax	223,61 W	231,11 W	235,87 W	239,26 W
Isc	7,90 A	7,99 A	8,33 A	8,44 A
Voc	37,28 V	37,46 V	37,60 V	37,80 V
Imp	7,37 A	7,57 A	7,56 A	7,62 A
Vmp	30,34 V	30,53 V	31,20 V	31,40 V
Operating parameters. Temperature coefficients				
Maximum voltage	1000 - 1500 V			
Maximum series fuse rating. Ir	20 A			
$\alpha$ Isc	0,048 % / °C			
$\beta$ Voc	- 0,28 % / °C			
$\gamma$ Pmax	- 0,37 % / °C			
Temperature range	- 40°C ~ + 85 °C			
NOCT	45 $\pm$ 2 °C			

NOTE: Read the instruction manual of this product and follow the indications STC. Values are valid for: 1000W/m<sup>2</sup>, AM 1,5 and cells temperature of 25°C. Measurement tolerance +/-3% (AAA Solar simulation -IEC 60.904-9-). All the information of this brochure may be amended without notice by Eurener. Eurener\_MEPV 60\_TURBO SUPERIOR\_300-320Wp\_EN\_SEP2022

1997 to 2022  
**25**  
TH  
ANNIVERSARY

[www.eurenergroupp.com](http://www.eurenergroupp.com)  
contact@eurenerworld.com  
+34 960 045 515  
Calle Colón, 1-23  
46004, Valencia, Spain

### 25 years manufacturing a better world

Since 1997 our main purpose has been to supply quality and long-lasting photovoltaic modules that allow us and future generations, to continue generating clean energy to take care of our planet.

Polycrystalline Photovoltaic Module »



# PEPV 60 SUPERIOR

STANDARD - BICOLOUR »  
280 / 285 Wp

## QUALITY »



**60 cells**  
Polycrystalline



**Long durability**  
Continuous performance



**+5W**  
Positive power tolerance



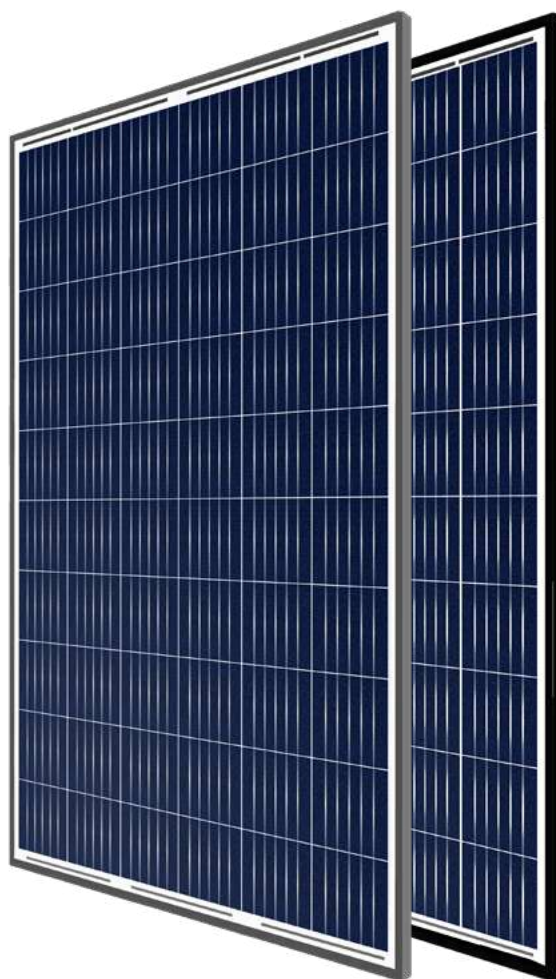
**Fire resistance**  
Maximum protection



**Proven technology**  
More reliable



**Optimal performance**  
Power and efficiency



## WARRANTIES »

**20 YEARS PRODUCT WARRANTY**

**25 YEARS PERFORMANCE WARRANTY**  
Linear Warranty

**PRODUCT WARRANTY**  
for Premium Partners

**+5**  
YEARS

## CERTIFICATES »



## TECHNICAL FEATURES »

### Eurener\_PEPV 60\_SUPERIOR\_280-285Wp\_2022EN

#### FRAME

Black / Silver anodized aluminium

Robust and resistant to corrosion

#### CONNECTION BOX AND PROTECTIONS

Sealed, robust and wide for heat dissipation

IP67/IP68 according to IEC 60529

Diodes by-pass built-in (3/6)

Connector MC4 compatible

Application Class A. Safety Class II

Cables 1000 mm ( $\pm 20\%$ ) length and 4 mm<sup>2</sup> section

#### FRONTAL

3,2 mm thick tempered glass with high strength and ARC

Textured, extra-clear with low iron content

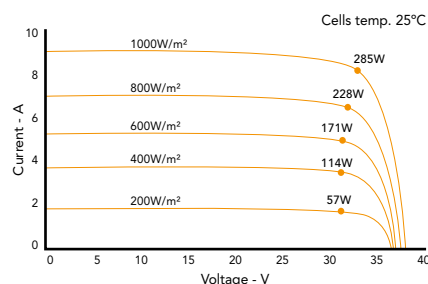
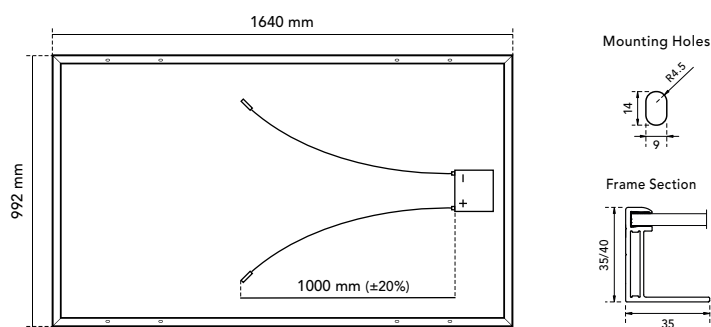
Frontal load (snow) 5400 Pa | Back load (wind) 2400 Pa

#### SOLAR CELLS

60 cells polycrystalline silicon

#### WEIGHT, DIMENSIONS AND PACKAGING

18,50 Kg | 1640 x 992 x 35 mm ( $\pm 1\%$ ) | Pack: 924/784 pcs-truck



## ELECTRIC DATA »

STANDARD - BICOLOUR	PEPV 280	PEPV 285
STC: 1000 W/m <sup>2</sup> , module temperature 25°C, AM 1,5		
Nominal power. P <sub>max</sub>	280 Wp	285 Wp
Max. power tolerance. P <sub>max</sub>	0 / +5 W	0 / +5 W
Area of the module	1,62 m <sup>2</sup>	
Module efficiency	17,21 %	17,52 %
I <sub>sc</sub>	9,40 A	9,49 A
V <sub>oc</sub>	38,20 V	38,30 V
I <sub>mp</sub>	8,92 A	9,02 A
V <sub>mp</sub>	31,40 V	31,60 V
NOCT: 800 W/m <sup>2</sup> , ambient temperature 20°C, AM 1,5		
Nominal power. P <sub>max</sub>	208,07 W	211,11 W
I <sub>sc</sub>	7,59 A	7,66 A
V <sub>oc</sub>	35,40 V	35,50 V
I <sub>mp</sub>	7,17 A	7,23 A
V <sub>mp</sub>	29,02 V	29,20 V
Operating parameters. Temperature coefficients		
Maximum voltage	1000 - 1500 V	
Maximum series fuse rating. I <sub>r</sub>	15 A	
$\alpha$ I <sub>sc</sub>	0,05 % / °C	
$\beta$ V <sub>oc</sub>	- 0,32 % / °C	
$\gamma$ P <sub>max</sub>	- 0,41 % / °C	
Temperature range	- 40°C ~ + 85 °C	
NOCT	42 $\pm$ 2 °C	

NOTE: Read the instruction manual of this product and follow the indications STC. Values are valid for: 1000W/m<sup>2</sup>, AM 1,5 and cells temperature of 25°C. Measurement tolerance +/-3% (AAA Solar simulation -IEC 60.904-9-). All the information of this brochure may be amended without notice by Eurener. Eurener\_PEPV 60\_SUPERIOR\_280-285Wp\_EN\_SEP2022

1997 to 2022  
**25**  
TH  
ANNIVERSARY

[www.eurenergroupp.com](http://www.eurenergroupp.com)  
contact@eurenerworld.com  
+34 960 045 515  
Calle Colón, 1-23  
46004, Valencia. Spain

#### 25 years manufacturing a better world

Since 1997 our main purpose has been to supply quality and long-lasting photovoltaic modules that allow us and future generations, to continue generating clean energy to take care of our planet.



Polycrystalline Photovoltaic Module »



# PEPV 72 STANDARD

STANDARD - BICOLOUR »  
340 / 345 Wp

## QUALITY »



**72 cells**  
Polycrystalline



**Long durability**  
Continuous performance



**+5W**  
Positive power tolerance



**Fire resistance**  
Maximum protection



**Proven technology**  
More reliable



**Optimal performance**  
Power and efficiency



1997 to 2022  
**25<sup>TH</sup>**  
ANNIVERSARY



## WARRANTIES »

**20** YEARS PRODUCT WARRANTY

**25** YEARS PERFORMANCE WARRANTY  
Linear Warranty

PRODUCT WARRANTY  
for Premium Partners

**+5**  
YEARS

## CERTIFICATES »



## TECHNICAL FEATURES »

### Eurener\_PEPV 72\_STANDARD\_340-345Wp\_2022EN

#### FRAME

Black / Silver anodized aluminium

Robust and resistant to corrosion

#### CONNECTION BOX AND PROTECTIONS

Sealed, robust and wide for heat dissipation

IP67/IP68 according to IEC 60529

Diodes by-pass built-in (3/6)

Connector MC4 compatible

Application Class A. Safety Class II

Cables 1000 mm ( $\pm 20\%$ ) length and 4 mm<sup>2</sup> section

#### FRONTAL

3,2 mm thick tempered glass with high strength and ARC

Textured, extra-clear with low iron content

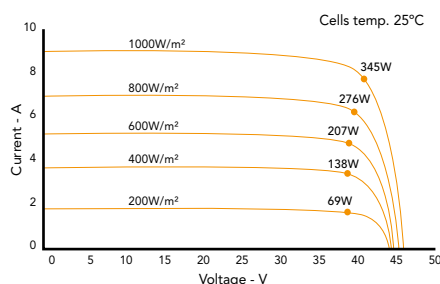
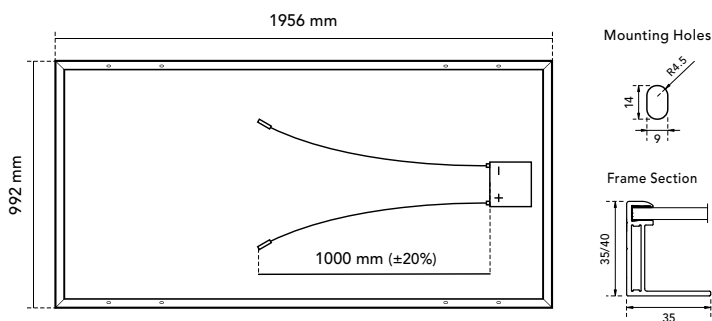
Frontal load (snow) 5400 Pa | Back load (wind) 2400 Pa

#### SOLAR CELLS

72 cells polycrystalline silicon

#### WEIGHT, DIMENSIONS AND PACKAGING

22,50 Kg | 1956 x 992 x 35 mm ( $\pm 1\%$ ) | Pack: 726/624 pcs-truck



## ELECTRIC DATA »

STANDARD - BICOLOUR	PEPV 340	PEPV 345
STC: 1000 W/m <sup>2</sup> , module temperature 25°C, AM 1,5		
Nominal power. Pmax	340 Wp	345 Wp
Max. power tolerance. Pmax	0 / +5 W	0 / +5 W
Area of the module	1,94 m <sup>2</sup>	
Module efficiency	17,53 %	17,79 %
Isc	9,42 A	9,52 A
Voc	46,20 V	46,70 V
Imp	9,00 A	9,11 A
Vmp	37,80 V	37,90 V
NOCT: 800 W/m <sup>2</sup> , ambient temperature 20°C, AM 1,5		
Nominal power. Pmax	252,35 W	255,17 W
Isc	7,60 A	7,68 A
Voc	42,80 V	43,00 V
Imp	7,21 A	7,27 A
Vmp	35,00 V	35,10 V
Operating parameters. Temperature coefficients		
Maximum voltage	1000 - 1500 V	
Maximum series fuse rating. Ir	15 A	
$\alpha$ Isc	0,060 % / °C	
$\beta$ Voc	- 0,30 % / °C	
$\gamma$ Pmax	- 0,40 % / °C	
Temperature range	- 40°C ~ + 85 °C	
NOCT	45 $\pm$ 2 °C	

NOTE: Read the instruction manual of this product and follow the indications STC. Values are valid for: 1000W/m<sup>2</sup>, AM 1,5 and cells temperature of 25°C. Measurement tolerance +/-3% (AAA Solar simulation -IEC 60.904-9-). All the information of this brochure may be amended without notice by Eurener. Eurener\_PEPV 72\_STANDARD\_340-345Wp\_EN\_SEP2022

1997 to 2022  
**25**  
TH  
ANNIVERSARY

[www.eurenergroupp.com](http://www.eurenergroupp.com)  
contact@eurenerworld.com  
+34 960 045 515  
Calle Colón, 1-23  
46004, Valencia. Spain

### 25 years manufacturing a better world

Since 1997 our main purpose has been to supply quality and long-lasting photovoltaic modules that allow us and future generations, to continue generating clean energy to take care of our planet.

Polycrystalline Photovoltaic Module »



# PEPV 120 HALF-CUT

## STANDARD » 300Wp

### QUALITY »



**120 cells**  
Half-Cut polycrystalline



**Long durability**  
Continuous performance



**+5W**  
Positive power tolerance



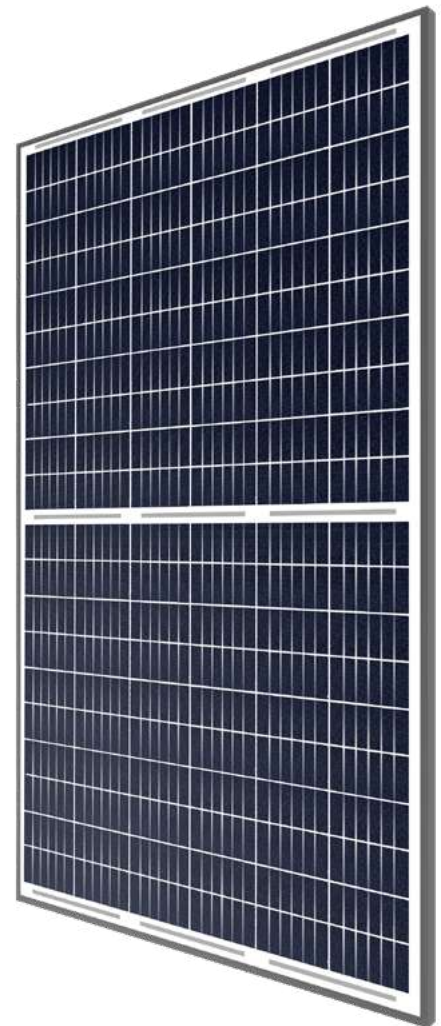
**Fire resistance**  
Maximum protection



**Proven technology**  
More reliable



**Optimal performance**  
Power and efficiency



1997 to 2022  
**25<sup>TH</sup>**  
ANNIVERSARY



### WARRANTIES »

**20** YEARS PRODUCT WARRANTY

**25** YEARS PERFORMANCE WARRANTY  
Linear Warranty

PRODUCT WARRANTY  
for Premium Partners

**+5**  
YEARS

### CERTIFICATES »



## TECHNICAL FEATURES »

### Eurener\_PEPV 120\_HALF-CUT\_300Wp\_2022EN

#### FRAME

Black / Silver anodized aluminium

Robust and resistant to corrosion

#### CONNECTION BOX AND PROTECTIONS

Sealed, robust and wide for heat dissipation

IP67/IP68 according to IEC 60529

Diodes by-pass built-in (3/6)

Connector MC4 compatible

Application Class A. Safety Class II

Cables 1000 mm ( $\pm 20\%$ ) length and 4 mm<sup>2</sup> section

#### FRONTAL

3,2 mm thick tempered glass with high strength and ARC

Textured, extra-clear with low iron content

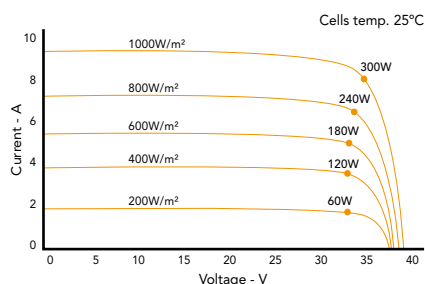
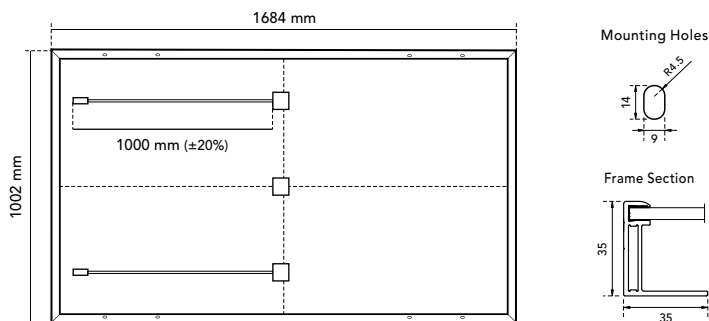
Frontal load (snow) 5400 Pa | Back load (wind) 2400 Pa

#### SOLAR CELLS

120 [2x(10x6)] cells polycrystalline silicon

#### WEIGHT, DIMENSIONS AND PACKAGING

18 Kg | 1684 x 1002 x 35 mm ( $\pm 1\%$ ) | Pack: 858 pcs-truck



## ELECTRIC DATA »

STANDARD	PEPV 300
STC: 1000 W/m <sup>2</sup> , module temperature 25°C, AM 1,5	
Nominal power. P <sub>max</sub>	300 Wp
Max. power tolerance. P <sub>max</sub>	0 / +5 W
Area of the module	1,68 m <sup>2</sup>
Module efficiency	17,79 %
I <sub>sc</sub>	9,70 A
V <sub>oc</sub>	39,16 V
I <sub>mp</sub>	9,10 A
V <sub>mp</sub>	33,00 V
NOCT: 800 W/m <sup>2</sup> , ambient temperature 20°C, AM 1,5	
Nominal power. P <sub>max</sub>	226,86 W
I <sub>sc</sub>	7,81 A
V <sub>oc</sub>	36,73 V
I <sub>mp</sub>	7,33 A
V <sub>mp</sub>	30,95 V
Operating parameters. Temperature coefficients	
Maximum voltage	1000 - 1500 V
Maximum series fuse rating. I <sub>r</sub>	15 A
α I <sub>sc</sub>	0,05 % / °C
β V <sub>oc</sub>	- 0,29 % / °C
γ P <sub>max</sub>	- 0,32 % / °C
Temperature range	- 40°C ~ + 85°C
NOCT	42 ± 2 °C

NOTE: Read the instruction manual of this product and follow the indications STC. Values are valid for: 1000W/m<sup>2</sup>, AM 1,5 and cells temperature of 25°C. Measurement tolerance +/-3% (AAA Solar simulation -IEC 60.904-9-). All the information of this brochure may be amended without notice by Eurener.

Eurener\_PEPV 120\_HALF-CUT\_300Wp\_EN\_SEP2022

1997 to 2022  
**25**  
TH  
ANNIVERSARY

[www.eurenergroupp.com](http://www.eurenergroupp.com)  
contact@eurenerworld.com  
+34 960 045 515  
Calle Colón, 1-23  
46004, Valencia, Spain

### 25 years manufacturing a better world

Since 1997 our main purpose has been to supply quality and long-lasting photovoltaic modules that allow us and future generations, to continue generating clean energy to take care of our planet.



PRODUCT  
CATALOGUE  
**2022**



MORE THAN ENERGY

[www.eurenergroupp.com](http://www.eurenergroupp.com)